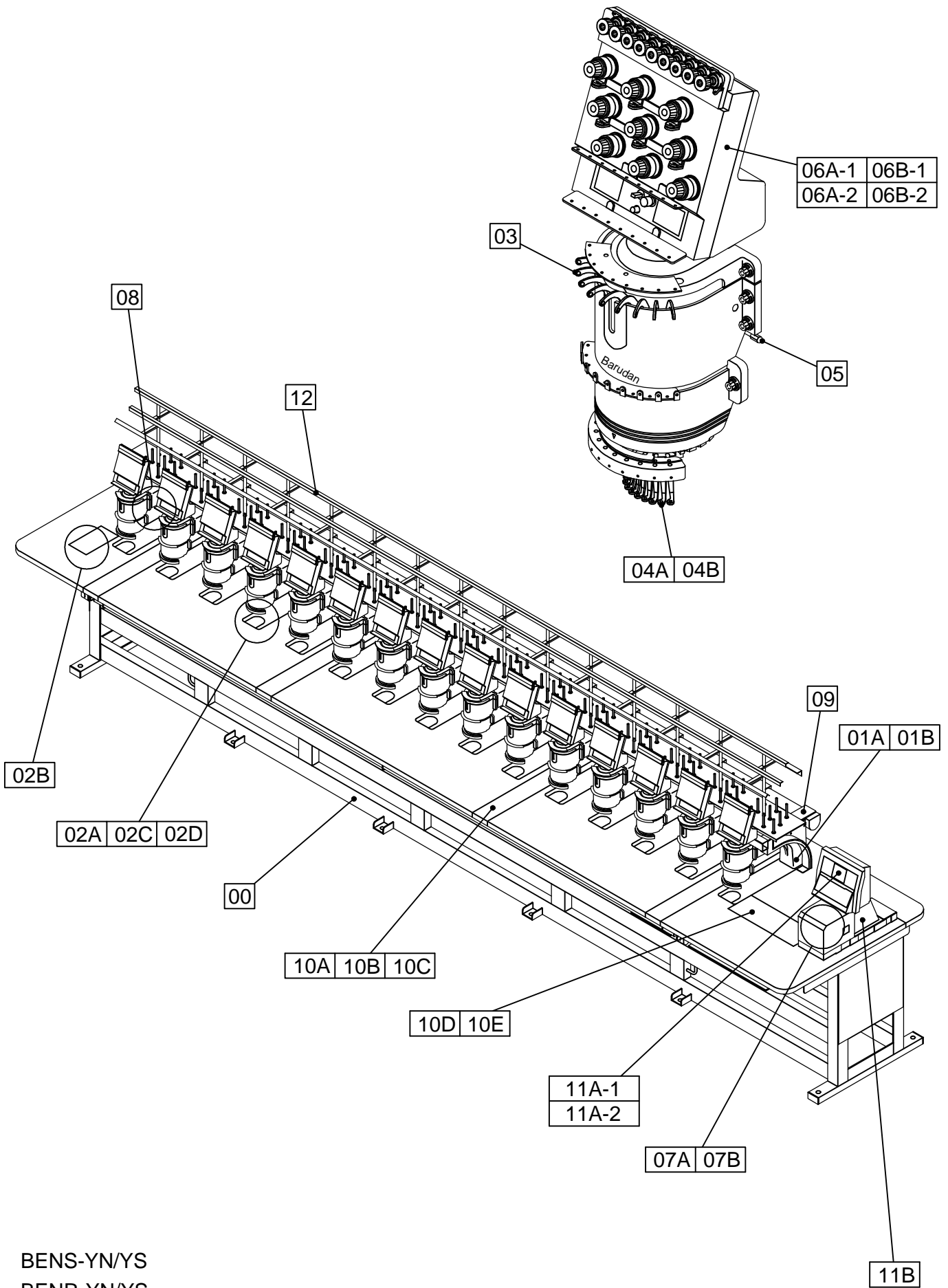


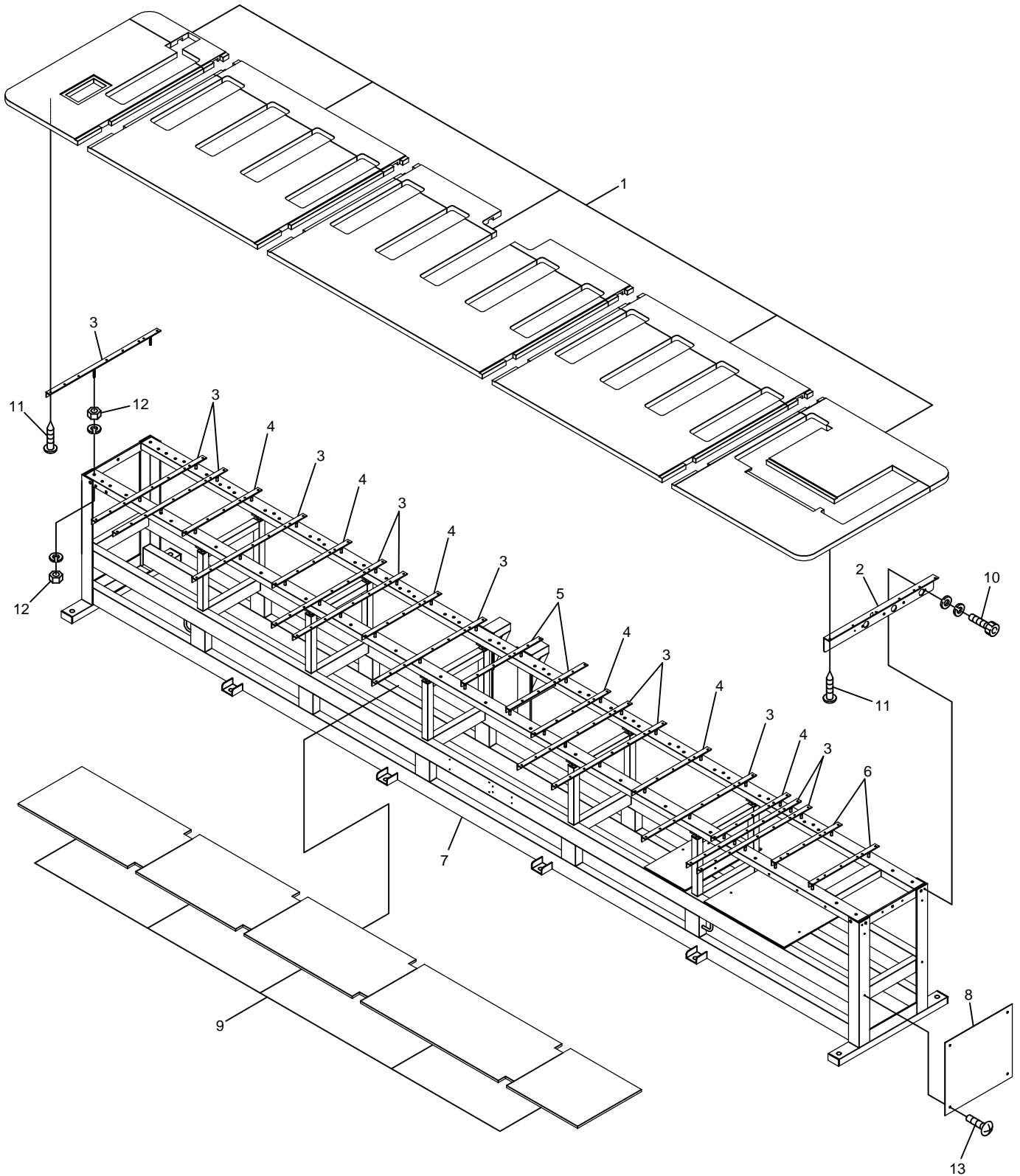
Barudan

HIGH SPEED AUTOMATIC EMBROIDERY MACHINE

BENS-YN/Y5

PARTS LIST





From the library of: Diamond Needle Corp

BENS-YN/YS
BENR-YN/YS

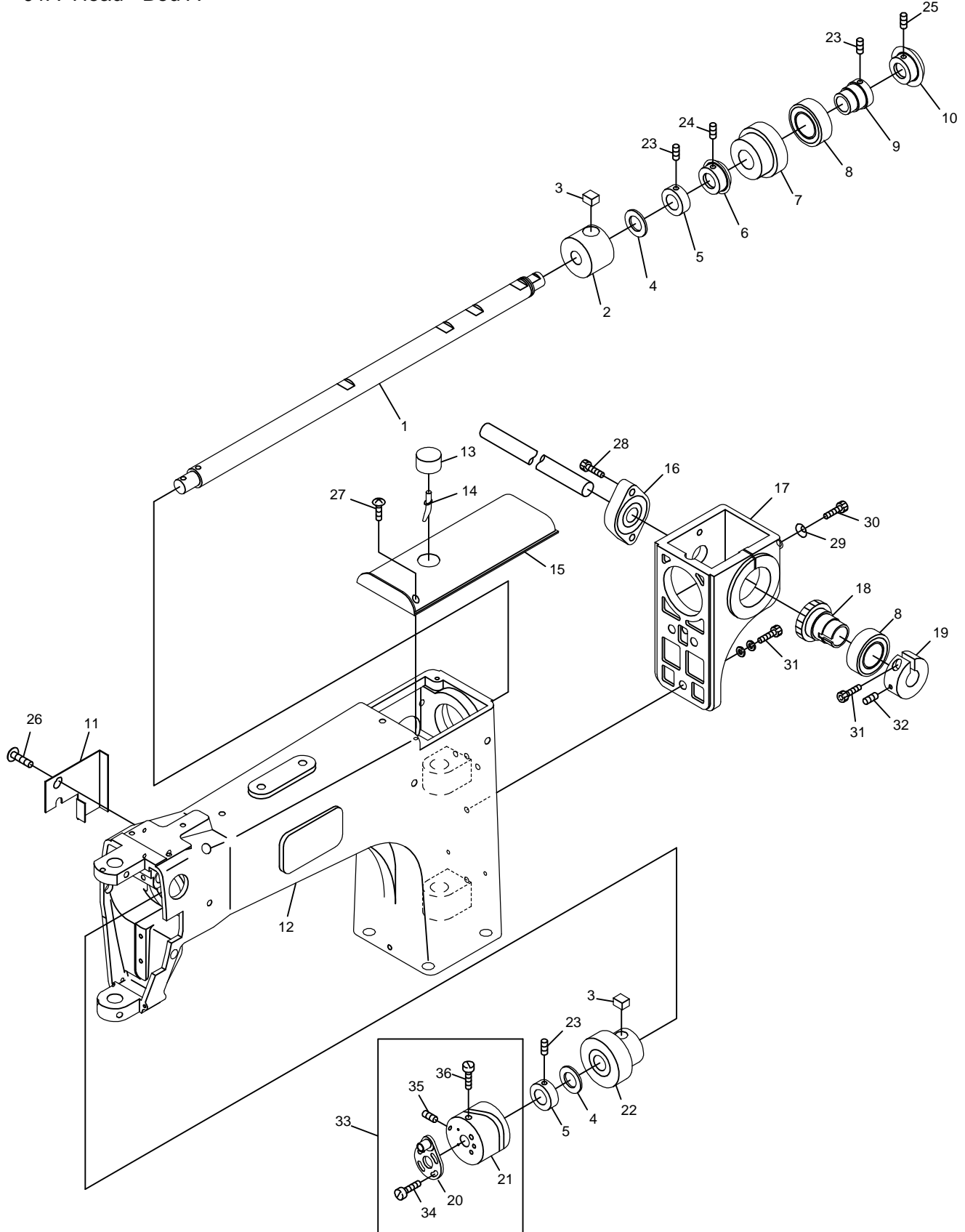
00 Table - Frame

ITEM	LIST NO.	DESCRIPTION	Q'TY	NOTE
1	1BKV153203500	Table	1	
2	KV140010	Table support(BENY)	1	
3	KC120680	Table support(790L)	12	
4	KN140950	Table support(540L)	6	
5	KC120830	Table support(740L)	2	
6	KC120841	Table support(475L)	2	
7	1AKV153203500	Frame	1	
8	KC110910	Leg frame side cover R	1	
9	1KN153203500	Shelf board	1	
10		Hex.socket bolt M6x20		
11		Pierce screw 5x23		
12		Hex.nut 3/8		
13		Truss screw M6x8		

From the library of: Diamond Needle Corp

01A Head - Bed A

'99.01.19

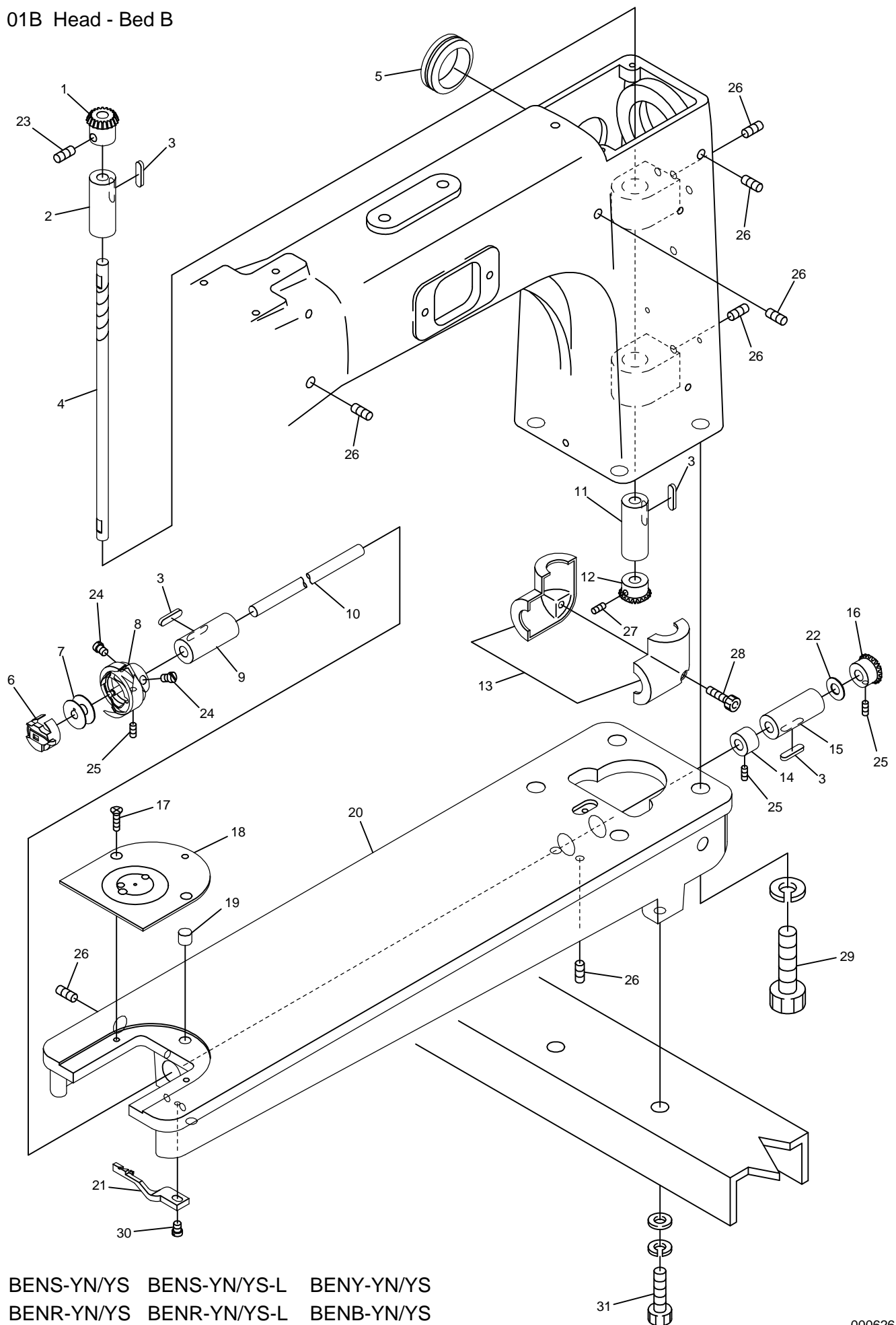


From the library of: Diamond Needle Corp

BENS-YN/YS BENS-YN/YS-L BENY-YN/YS BENSME-YN/YS BENYME-YN/YS
BENR-YN/YS BENR-YN/YS-L BENB-YN/YS BENRME-YN/YS BENBME-YN/YS

ITEM	LIST NO.	DESCRIPTION	Q'TY	NOTE
1	KL220000	Upper shaft	Hx1	
2	KL220030	Upper shaft middle metal	Hx1	
3	KL220130	Oil felt B	Hx2	
4	HP231390	Thrust washer(Upper shaft gear)	Hx2	
5	KL220080	Upper shaft collar	Hx2	
6	KF220130	Bevel gear(Upper shaft)	Hx1	
7	KL220040	Upper shaft rear bearing case	Hx1	
8	A9010017	Bearing(6004ZZ)	Hx2	
9	KL220090	Upper shaft rear bearing collar	Hx1	
10	KL220100	Upper shaft gear(Spiral bevel M1.5-25R)	Hx1	
11	KL250051	Arm side cable cover	Hx1	
12	KB210160	Arm	Hx1	
13	KL220150	Oil felt D	Hx1	
14	KC251330	Oil core L=75	Hx1	
15	KL250040	Arm top cover	Hx1	
16	HP321140	Upper shaft connecting shaft unit	Hx1	
17	KL210140	Arm gear case	Hx1	
18	KL320000	Connecting gear(Spiral bevel M1.5-25L)	Hx1	
19	KL320020	Connecting gear clamp f19	Hx1	
20	KB230050	90°crank	Hx1	
21	KB230030	Take up lever cam K6	Hx1	For small bobbin
	KB230040	Take up lever cam L1	Hx1	For middle bobbin
22	KL220022	Upper shaft front metal	Hx1	
23		Hex.socket set screw M6x6		
24		Screw(SM1/4 40x4)		
25		Hex.socket set screw M6x6(With adhesion)		
26		Binding screw M4x8		
27		Truss screw M4x10		
28		Hex.socket bolt M6x35(Spring washer)		
29		Disk spring M6	1	
30		Hex.socket bolt M6x60	Hx1	
31		Hex.socket bolt M6x25		
32		Hex.socket set screw M6x10		
33	KB230011	Take up lever cam K6 90°(9°inclination)	Hx1	For small bobbin
	KB230021	Take up lever cam L1 90°(9°inclination)	Hx1	For middle bobbin
34	A9012007	Screw(SM11/64 40x10)	Hx1	
35		Screw (SM11/64 28x10) lock		
36	KF230420	Take up lever cam set screw	Hx1	

01B Head - Bed B

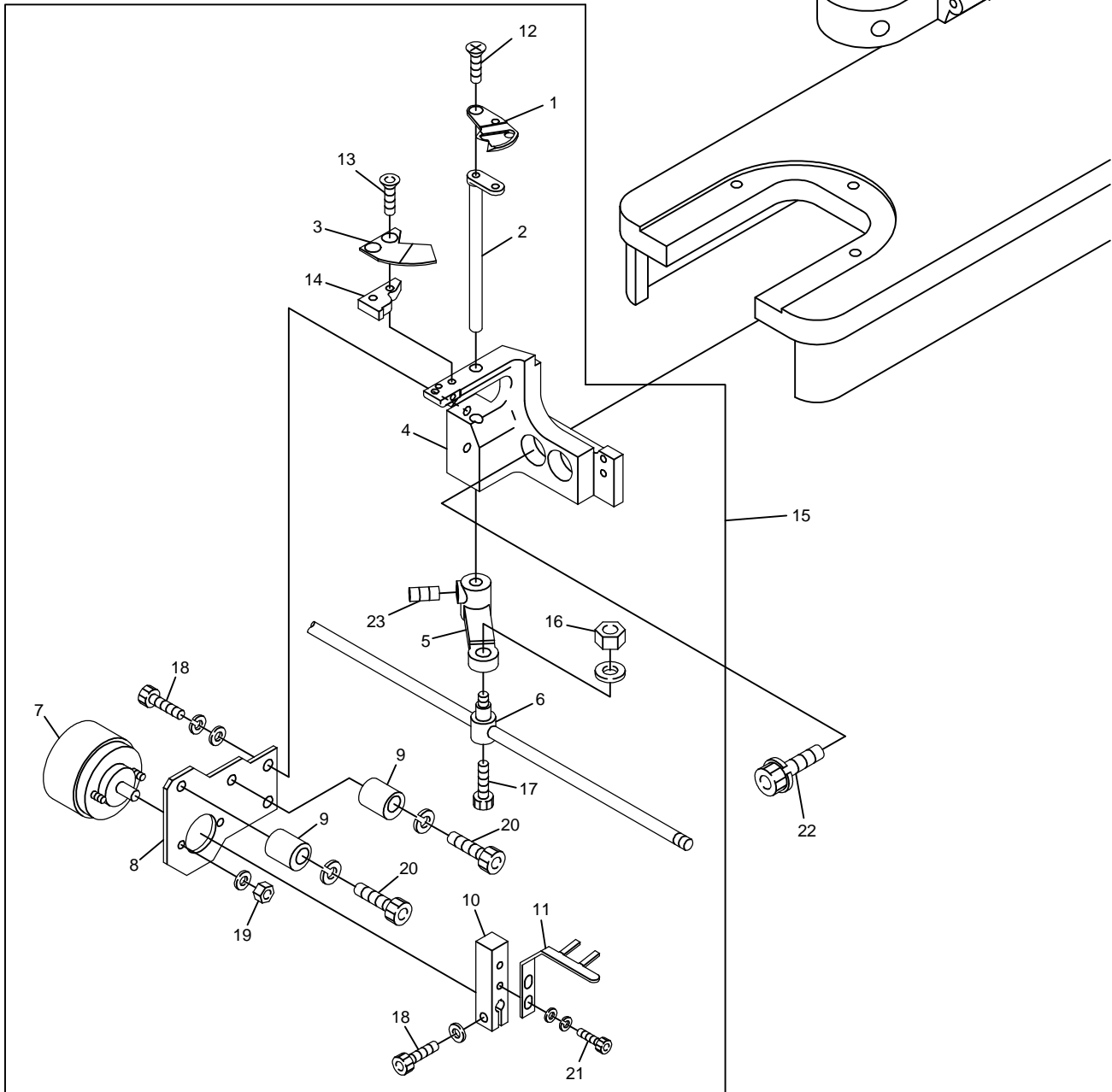


BENS-YN/YS BENS-YN/YS-L BENY-YN/YS
 BENR-YN/YS BENR-YN/YS-L BENB-YN/YS

From the library of: Diamond Needle Corp

ITEM	LIST NO.	DESCRIPTION	Q'TY	NOTE
1	KF220460	Bevel gear(Vertical shaft upper)	Hx1	
2	KL220050	Vertical metal(Upper)	Hx1	
3	KL220140	Oil felt C	Hx1	
4	KL220010	Vertical shaft	Hx1	
5	A9014063	Grommet C-30-SG-36A	Hx1	
6	KF220981	Bobbin case SC35-BNS-3	Hx1	For small bobbin
	KF220302	Bobbin case BC-DBM(Z2)-NBL5	Hx1	For middle bobbin
7	KF220530	Bobbin	Hx1	For small bobbin
	KF220421	Bobbin HSM(DBM)	Hx1	For middle bobbin
8	KF220710	Rotating hook complete KHS12-RYPBNW	Hx1	For small bobbin
	HB220010	Rotating hook complete(HSM-A-MQTS)	Hx1	For middle bobbin
9	KF220230	Lower shaft metal(Front)	Hx1	
10	KC220210	Lower shaft	Hx1	
11	KL220060	Vertical shaft metal(Lower)	Hx1	
12	KF220470	Bevel gear(Vertical shaft lower)	Hx1	
13	KF220271	Gear cover set	Hx1	
14	KF220290	Lower shaft collar	Hx1	
15	KL220070	Lower shaft metal(Rear)	Hx1	
16	KF220480	Bevel gear(Lower shaft)	Hx1	
17	KF250900	Throat plate set screw(SM11/64 40x7)	Hx2	
18	KV250010	Throat plate	Hx1	
19	KL220120	Oil felt A	Hx1	
20	KN210210	Bed	Hx1	For small bobbin
	KB210180	Bed	Hx1	For middle bobbin
21	HV270370	Rotating hook bobbin case holder(MK6R2)	Hx1	
22	HT220061	Thrust washer(Lower shaft)	Hx1	
23		Screw(SM1/4 40x4)		
24		Screw(SM11/64 40x5)		
25		Screw(SM11/64 40x4)		
26		Hex.socket set screw M6x8		
27		Screw(SM1/4 40x4)		
28		Hex.socket bolt M5x25		
29		Hex.bolt M12x35		
30		Screw(SM11/64 40x10)		
31		Hex.socket screw M8x22		

02A Thread cut A

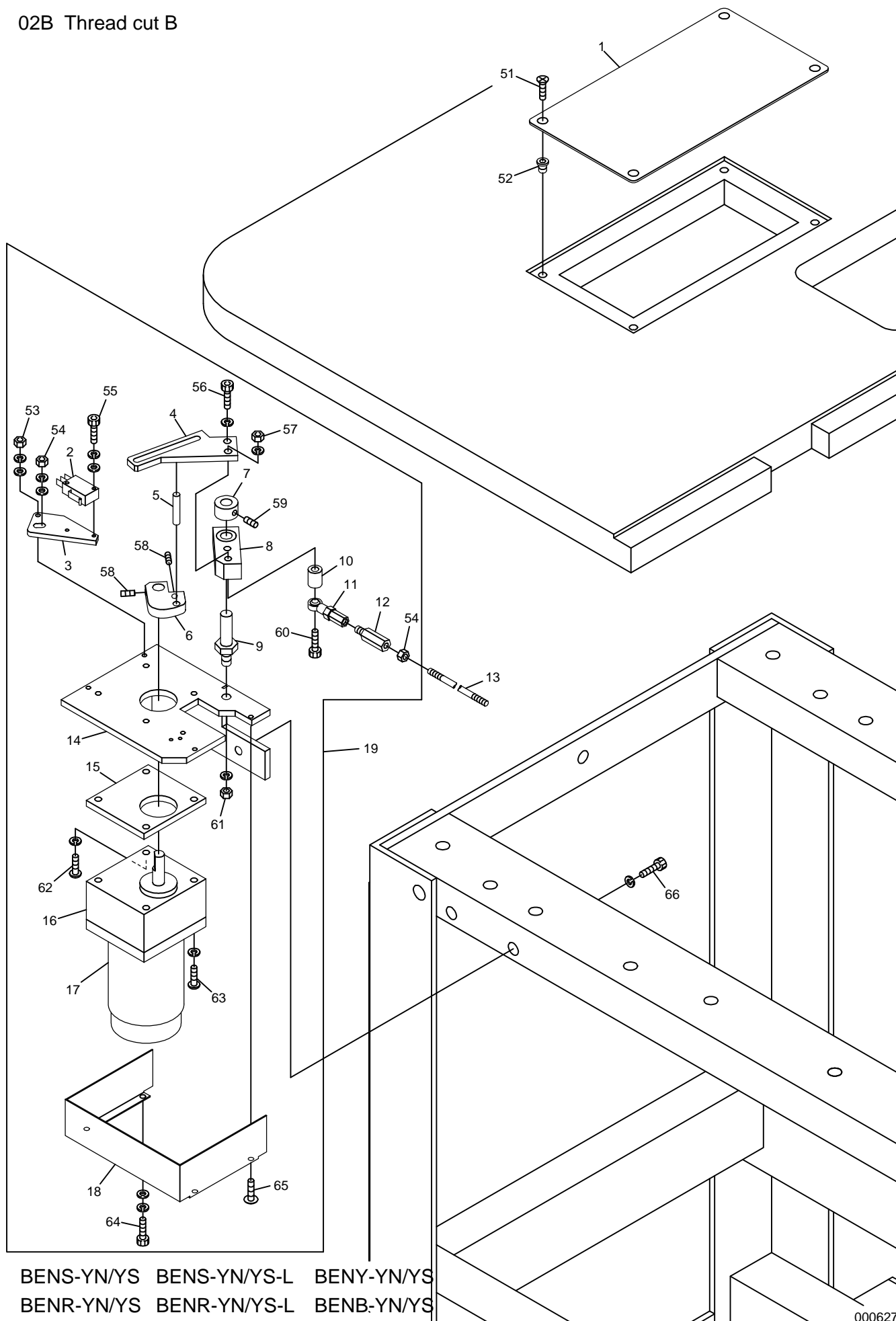


From the library of: Diamond Needle Corp

BENS-YN/YS BENS-YN/YS-L BENY-YN/YS
BENR-YN/YS BENR-YN/YS-L BENB-YN/YS

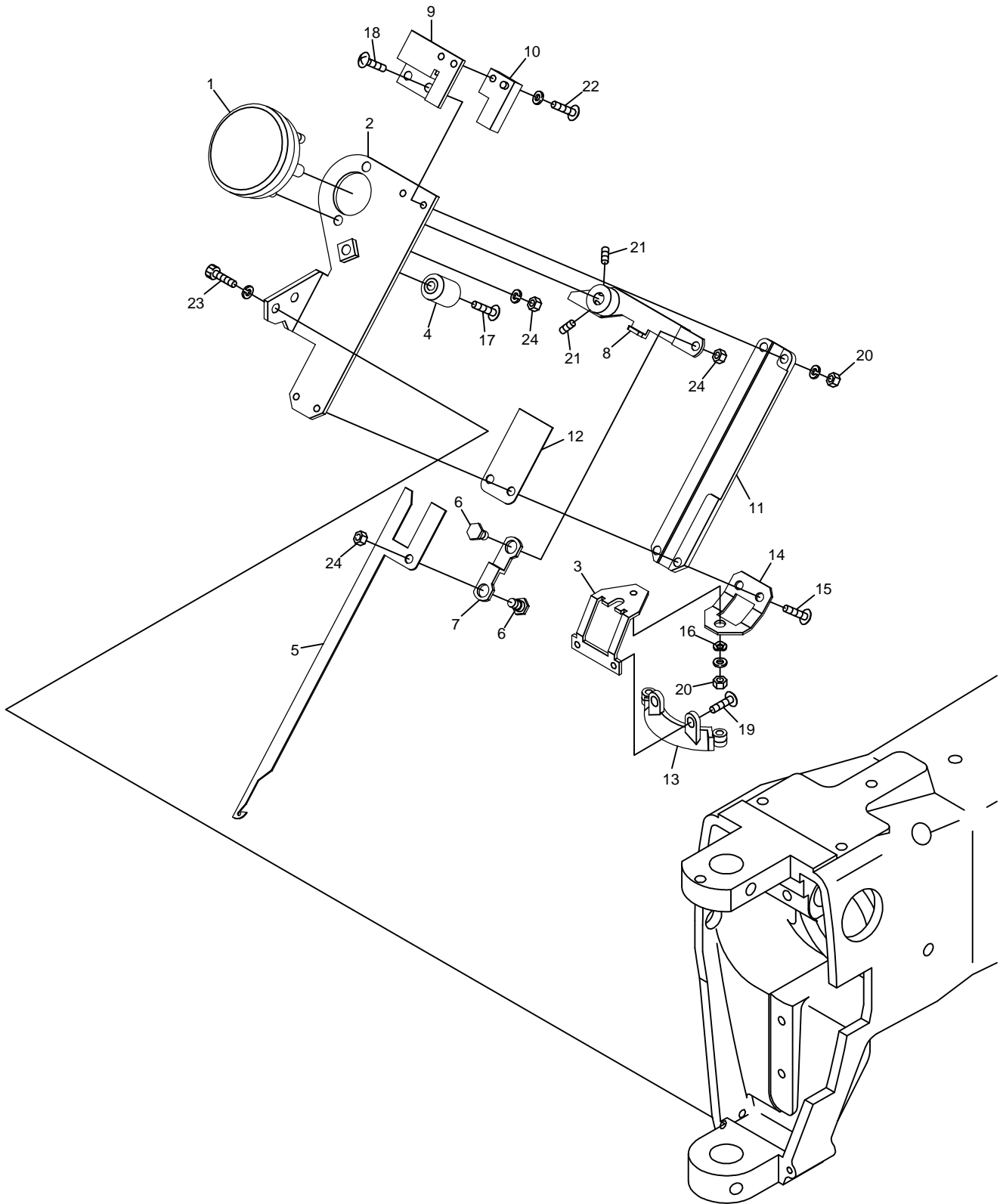
ITEM	LIST NO.	DESCRIPTION	Q'TY	NOTE
1	HV270340	Driving knife(MK6R2)	Hx1	
2	HV270330	Knife driving lever(MK6R2)	Hx1	
3	HV270310	Fixed knife G	Hx1	
4	HV270070	Thread cut knife base	Hx1	Small bobbin
	HV270410	Thread cut knife base(MK6 middle bobbin)	Hx1	Middle bobbin
5	HV270090	Knife lever	Hx1	
6	KF230640	Lock connecting bar clamp	Hx1	
7	A9056022	Rotary solenoid(3EL25-33x3x8x9)	Hx1	
8	HV270030	Solenoid stay	Hx1	
9	KN272401	Stopper eccentric	Hx2	
10	HV270100	Solenoid lever	Hx1	
11	HV270020	Upper thread separate hook	Hx1	
12	HV270440	Drive knife set screw(MK6)	Hx1	
13	HV270420	Fixed knife set screw(MK6R2)	Hx2	
14	HV270320	Fixed knife base(MK6R2)	Hx1	
15	HV270380	Thread cut a'ssy(MK6R2)	Hx1	Small bobbin
	HV270430	Thread cut a'ssy(MK6R2 middle bobbin)	Hx1	Middle bobbin
16		Hex.nut M4		
17		Hex.socket bolt M4x8		
18		Hex.socket bolt M4x10		
19		Hex.nut M3		
20		Hex.socket bolt M4x20		Small bobbin
		Hex.socket button bolt M4x20L		Middle bobbin
21		Hex.socket bolt M3x10		
22		Hex.socket bolt M6x20(Spring washer)		
23		Hex.socket set screw M5x6		

02B Thread cut B



02B THREAD CUT B

ITEM	LIST NO.	DESCRIPTION	Q'TY	NOTE
1	KC271440	Drive section service cover	1	
2	A9052078	Micro switch(D2VW-01L2A-1)	1	
3	HV270280	LS bracket	1	
4	HV270360	Motor lever(MK6R2)	1	
5	KN272350	Drive pin f6(L=35)	1	
6	HV270350	Drive cam(MK6R2)	1	
7	KC330180	Collar f10	1	
8	KN271782	Drive lever	1	
9	KN271750	Motor lever rotary shaft	1	
10	KN271800	Drive lever collar	1	
11	A9012002	Uniball joint(PR-6)	1	
12	HH330760	Hex.connecting bar	1	
13	KC330410	Lock connecting rod(2M)	2	
14	KV270240	Motor bracket	1	
15	KN271720	Motor spacer	1	
16	A9065075	Gear head(7RH1-D25x302)	1	
17	A9065074	Reversible motor(RM-H7A15 PMP-U)	1	
18	HV270220	Motor bracket cover	1	
19	KV270030	Thread cutter central drive a'ssy(MK6R2)	1	
51		Flush screw M4x8(Undercut)		
52		Rag nut(C) M4		
53		Hex.nut M4		
54		Hex.nut M5		
55		Hex.socket bolt M3x15		
56		Hex.socket bolt M6x12		
57		Hex.nut M6		
58		Hex.socket set screw M5x8		
59		Hex.socket set screw M5x6		
60		Hex.socket bolt M6x55		
61		Hex.nut M8		
62		Pan screw M5x75		
63		Pan screw M5x65		
64		Hex.socket bolt M4x18		
65		Truss screw M4x8		
66		Hex.socket bolt M8x20		

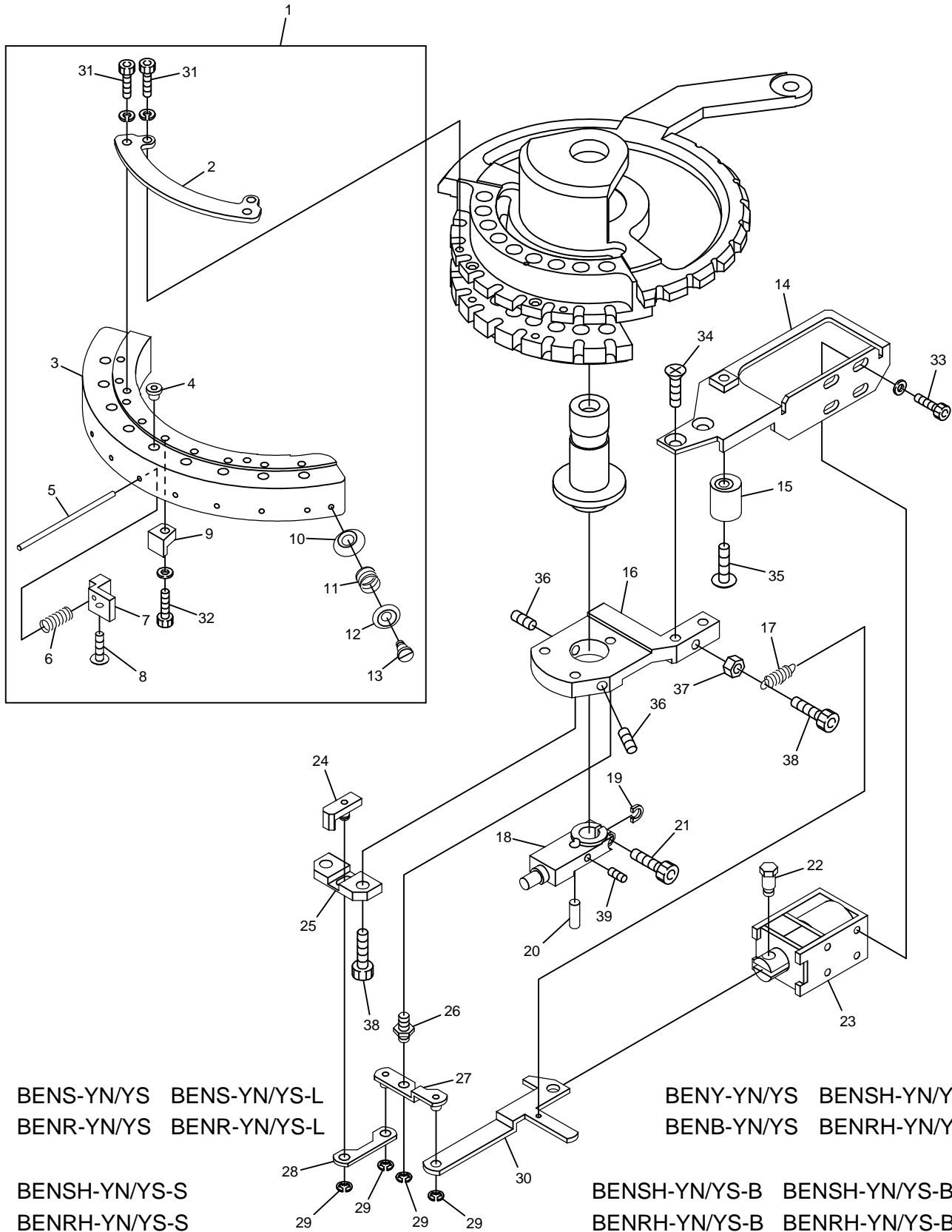


BENS-YN/YS BENS-YN/YS-L BENY-YN/YS BENSME-YN/YS BENYME-YN/YS
BENR-YN/YS BENR-YN/YS-L BENB-YN/YS BENRME-YN/YS BENBME-YN/YS

02C THREAD CUT C

ITEM	LIST NO.	DESCRIPTION	Q'TY	NOTE
1	A9056031	Rotary solenoid 4ER67.5-33x3x8x9 M970385R3(ETL)	Hx1	
2	KL270081	Thread away base	Hx1	
3	HT270070	Thread guard disk fixing stay	Hx1	
4	KN272401	Stopper eccentric	Hx1	
5	KL270101	Thread away hook	Hx1	
6	KL270130	Lever connecting pin	Hx1	
7	KL270120	Connecting plate	Hx1	
8	KL270110	Thread away solenoid lever	Hx1	
9	KL270260	Switch stay	Hx1	
10	A9052028	Proximity switch(RS-603)	Hx1	
11	KL270091	Thread away hook guide	Hx1	
12	KL270450	Hook guide plate	Hx1	
13	KL270400	Thread guard disk CMP	Hx1	
14	HT270110	Rotary shaft fixing stay	Hx1	
15		Truss screw M3x7		
16	A9013066	Wave washer WW-5	Hx1	
17		Truss screw M4x16		
18		Truss screw M3x10		
19		Truss screw M3x4		
20		Hex.nut M3		
21		Hex.socket set screw M4x8		
22		Truss screw M3x6		
23		Hex.socket bolt M4x12		
24		Hex.nut M4		

02D Thread cut D



From the library of: Diamond Needle Corp

BENS-YN/YS BENS-YN/YS-L
 BENR-YN/YS BENR-YN/YS-L

BENSH-YN/YS-S
 BENRH-YN/YS-S

BENY-YN/YS BENSH-YN/YS
 BENB-YN/YS BENRH-YN/YS

BENSH-YN/YS-B BENSH-YN/YS-BS
 BENRH-YN/YS-B BENRH-YN/YS-BS

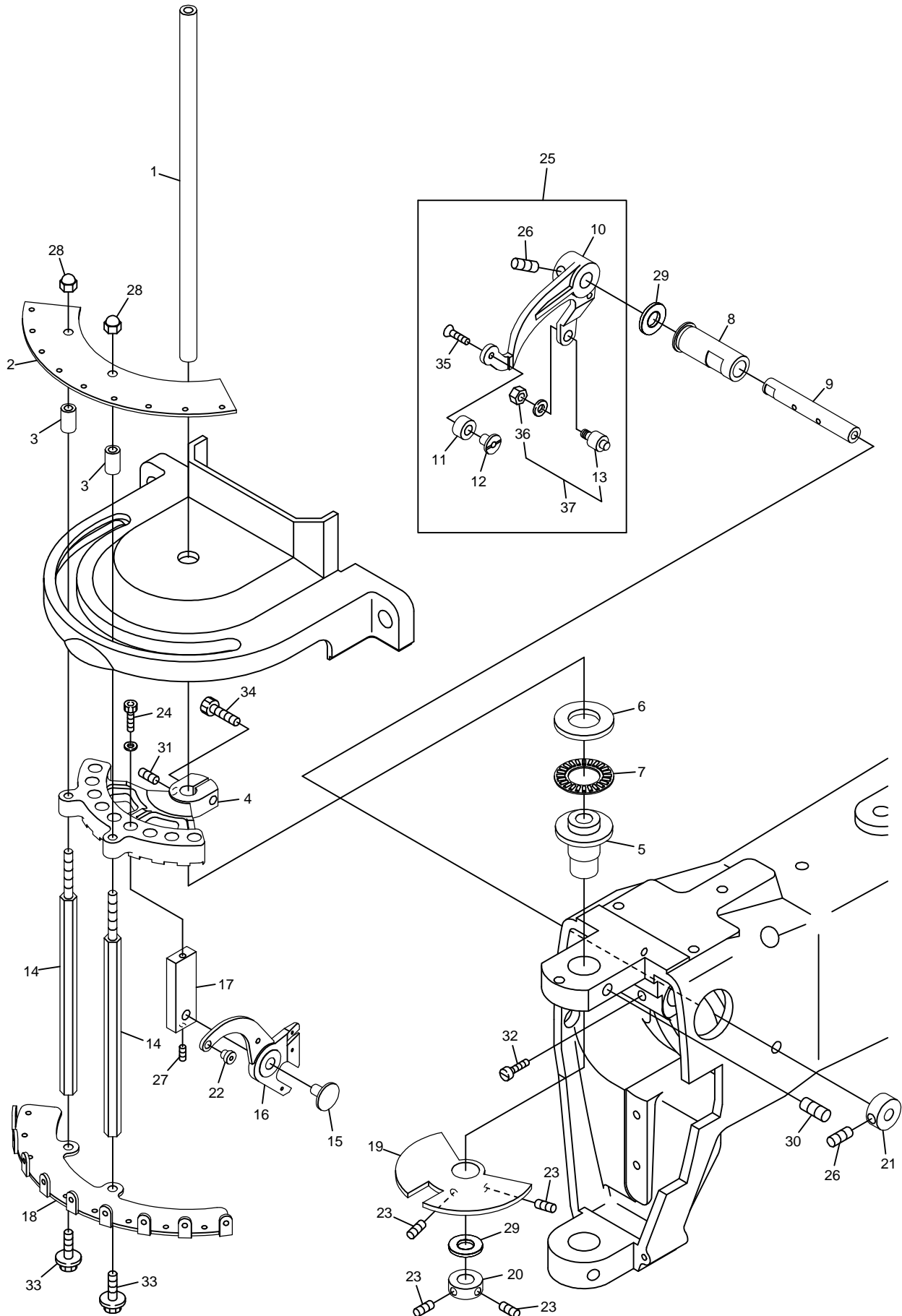
BENSH-YN-KS BEDSH-YN/YS-BS BENYH-YN BENYH-YN-C BENSHE-YN/YS BENYHE-YN
 BENRH-YN-KS BENBH-YN BENRHE-YN/YS BENBHE-YN

BENYHE-YN-B BENYHE-YN-C
 BENBHE-YN-B BENBHE-YN-C

02D THREAD CUT D

ITEM	LIST NO.	DESCRIPTION	Q'TY	NOTE
1	HT270030	Thread support apron a'ssy(YN)	Hx1	YN
	HT270140	Thread support apron a'ssy(YS-2)	Hx1	YS
2	HT270010	Thread support apron fixing stay	Hx1	
3	HT270001	Thread support apron(YN)	Hx1	YN
	HT270150	Thread support apron(YS-2)	Hx1	YS
4	KF230582	Thread way guide(For thread support apron)		YN...Hx9,YS...Hx7
5	HT270040	Thread support shaft		YN...Hx9,YS...Hx7
6	KC270271	Support spring		YN...Hx9,YS...Hx7
7	HT270021	Thread support clamp		YN...Hx9,YS...Hx7
8	HT270063	Thread support clamp set screw(YN)		YN...Hx9,YS...Hx7
9	KC270292	Thread support block		YN...Hx9,YS...Hx7
10	KF250220	Thread guard disk	Hx2	
11	KF250241	Thread hook support spring	Hx2	
12	KF250231	Thread guard spring pressure	Hx2	
13	KF250250	Thread hook support shaft screw	Hx2	
14	KL270070	Solenoid stay	Hx1	
15	KN272401	Stopper eccentric	Hx1	
16	KL270000	Fixing base	Hx1	
17	KL270520	Return spring	Hx1	
18	HT230361	Drive shaft fixing plate	Hx1	
19	HT230830	Washer for drive shaft fixing plate	Hx1	
20	HT230350	Thread guard disk fixing pin	Hx1	
21	HT230640	Drive shaft fixing clamp bolt	Hx1	
22	KC270101	Solenoid pin	Hx1	
23	A9056037	Keep solenoid TDS-K10SL(With cover)	Hx1	
24	HT270120	Thread support slider	Hx1	
25	HT270100	Slide base	Hx1	
26	KL270040	Lever rotary shaft	Hx1	
27	HT270090	Solenoid lever	Hx1	
28	HT270080	Drive plate	Hx1	
29	A9012127	E-ring f3	Hx4	
30	KL270060	Lever connecting plate	Hx1	
31		Hex.socket bolt(Plating) M3x6 (With spring washer)		
32		Hex.socket bolt M3x10(With plain washer)		
33		Hex.socket bolt M3x6		
34		Flush screw M4x8		
35		Truss screw M4x16		
36		Hex.socket set screw M4x8		
37		Hex.nut M4		
38		Hex.socket bolt M4x8		
39		Set screw M3x5		

03 Take up lever



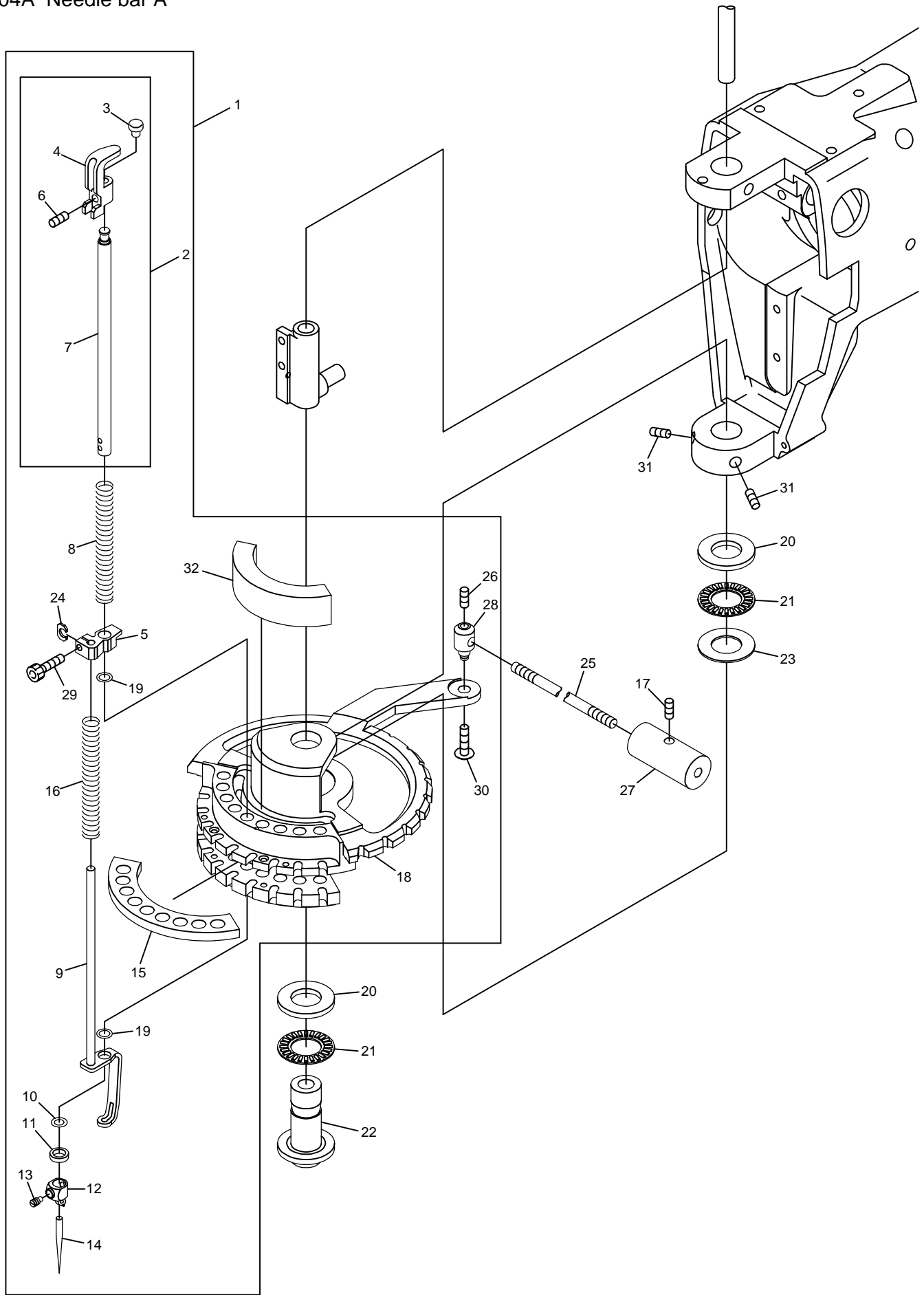
BENS-YN/YS BENS-YN/YS-L BENY-YN/YS
 BENR-YN/YS BENR-YN/YS-L BENB-YN/YS

From the library of: Diamond Needle Corp

03 TAKE UP LEVER

ITEM	LIST NO.	DESCRIPTION	Q'TY	NOTE
1	KS230010	Driving shaft	Hx1	
2	HT240000	Thread guide plate	Hx1	
3	KB240021	Thread guide fixing collar	Hx2	
4	KT230020	Take up fixing bracket	Hx1	
5	KB230090	Driving shaft upper metal	Hx1	
6	A9011152	Thrust needle bearing inner ring(WS1528)	Hx1	
7	A9011021	Thrust needle bearing NTB-1528	Hx1	
8	KB230100	Take up lever driving shaft metal	Hx1	
9	KB230110	Take up lever driving shaft	Hx1	
10	KT230032	Take up lever driving lever	Hx1	
11	HT230090	Take up lever driving roller	Hx1	
12	HT230100	Take up lever driving roller shaft	Hx1	
13	KF230680	Cam followers(KRx4x7.9x15-1Px1)	Hx1	
14	KB240010	Thread guide fixing rod	Hx2	
15	HT230080	Take up lever shaft		YN...Hx9, YS...Hx7
16	KT230041	Take up lever a'ssy(YN multi)		YN...Hx9, YS...Hx7
17	KT230010	Take up lever base		YN...Hx9, YS...Hx7
18	HT240010	Thread guard	Hx1	
19	KT230000	Take up lever stocker	Hx1	
20	HB230160	Driving shaft set collar	Hx1	
21	HB230270	Needle bar driving lever fixing pin set collar	Hx1	
22	HB230751	Take up lever thread guide		YN...Hx9, YS...Hx7
23		Hex.socket set screw M4x4(With adhesion)		
24		Hex.socket bolt M3x14		
25	KT230052	Take up lever drive lever a'ssy	Hx1	
26		Hex.socket set screw M5x6(With adhesion)		
27		Hex.socket set screw M3x4(With adhesion)		
28		Cap nut M4		
29	A9012164	Thrust washer(R-TW0851)	Hx2	
30		Hex.socket set screw M6x6		
31		Hex.socket set screw M4x5(Cone point)		
32		Screw(SM11/64x11)		
33		Hex.socket bolt M4x6(With plain washer)		
34		Hex.socket bolt M4x15		
35	HB230650	Flush screw(With adhesion)	Hx1	
36		Hex.nut M4(With spring washer)		
37	KF230501	Take up lever roller a'ssy	Hx1	

04A Needle bar A

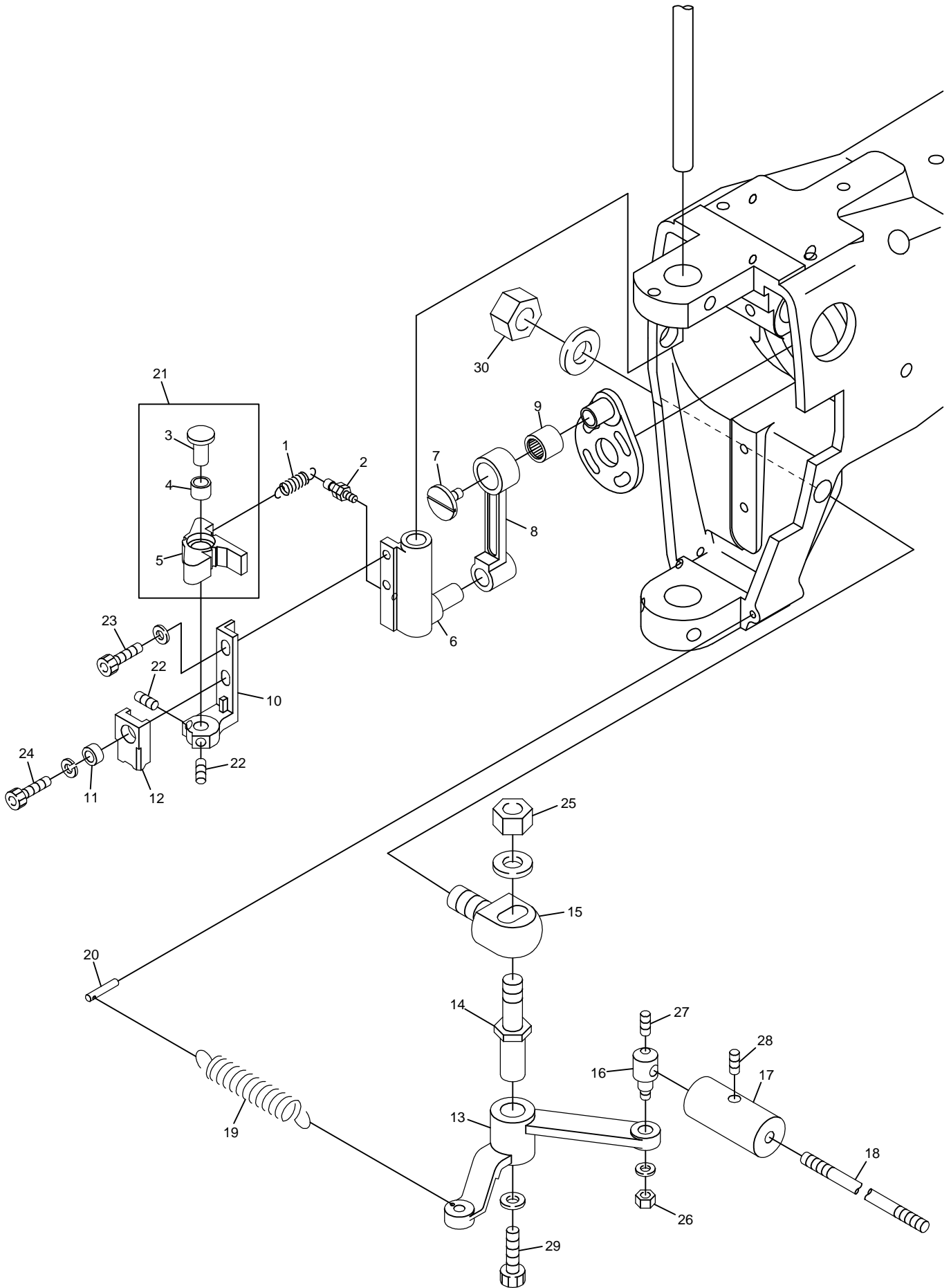


BENS-YN/YS BENY-YN/YS
 BENR-YN/YS BENB-YN/YS

From the library of: Diamond Needle Corp

04A NEEDLE BAR A

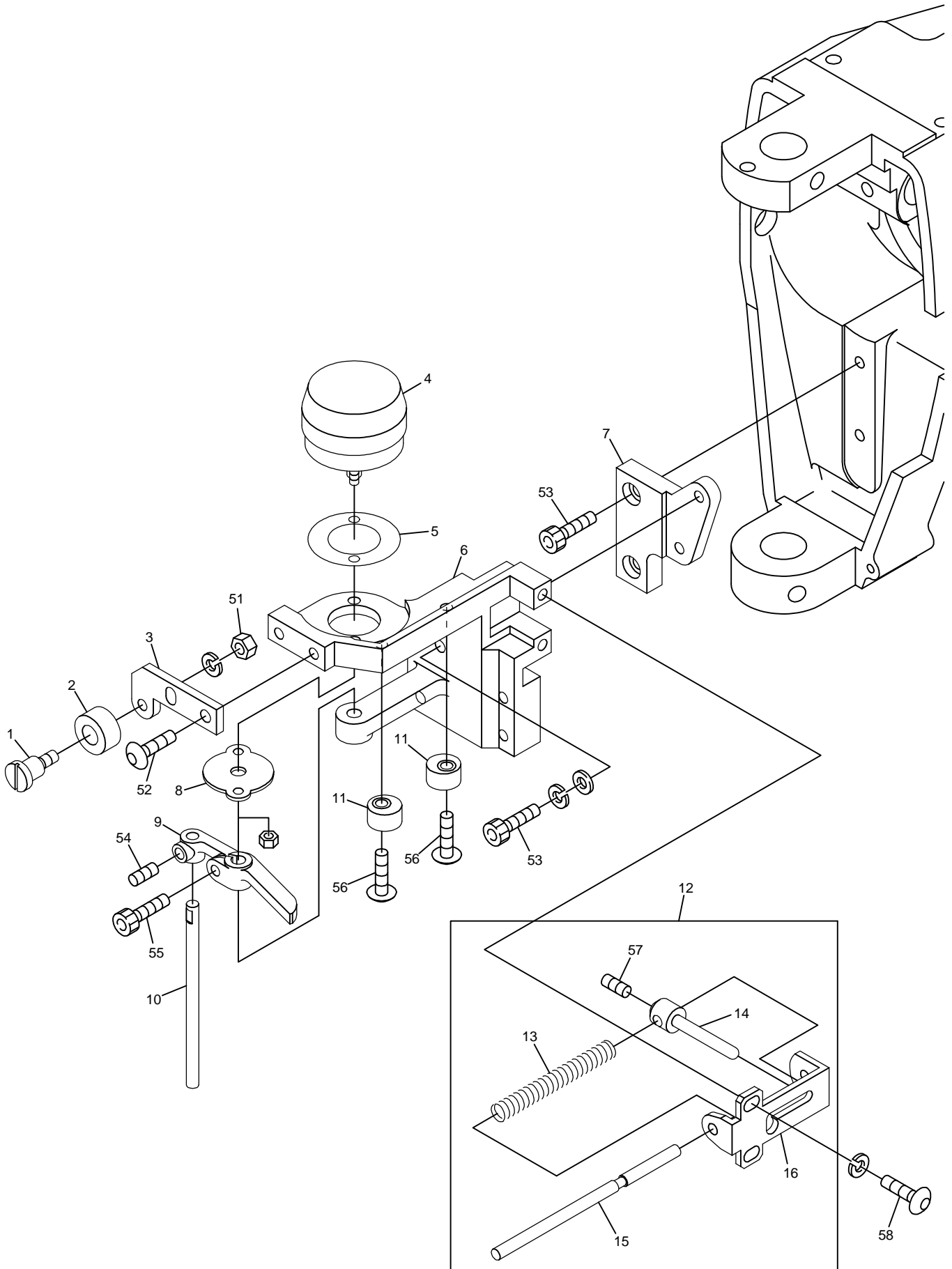
ITEM	LIST NO.	DESCRIPTION	Q'TY	NOTE
1	HT230800	Rotary plate a'ssy	Hx1	YN
	KT230090	Rotary plate a'ssy	Hx1	YS
2	HT230810	Needle bar a'ssy		YN...Hx9,YS...Hx7
3	HT230130	Needle bar cap		YN...Hx9,YS...Hx7
4	HT230151	Needle bar guide		YN...Hx9,YS...Hx7
5	HT230330	Cloth hold set clamp		YN...Hx9,YS...Hx7
6		Hex.socket set screw M4x4		
7	HT230041	Needle bar		YN...Hx9,YS...Hx7
8	KV230040	Needle bar spring(Upper,thick cloth)		YN...Hx9,YS...Hx7
9	HT230143	Cloth hold(YN with ditch)		YN...Hx9,YS...Hx7
10	KF230910	O-ring(AN6227-5)		YN...Hx9,YS...Hx7
11	HT230120	Washer 2.4		YN...Hx9,YS...Hx7
12	HT230670	Needle clamp		YN...Hx9,YS...Hx7
13	KF230240	Needle clamp screw(SM9/64 40)		YN...Hx9,YS...Hx7
14	FN070011SNY	Needle(DBXK5-NY11S)		YN...Hx9,YS...Hx7
15	HT230111	Rotary plate felt	Hx1	
16	HT230064	Needle bar spring Lower plating		YN...Hx9,YS...Hx7
17		Hex.socket set screw M5x5		
18	HT230570	Rotary plate	Hx1	
19	A9014055	O-ring(1AS-7)		YN...Hx18,YS...Hx14
20	A9011023	Thrust bearing outer ring(GS1528)	Hx2	
21	A9011021	Thrust bearing(NTB-1528)	Hx2	
22	HB230140	Drive shaft lower metal	Hx1	
23	A9011022	Thrust washer	Hx1	
24	HT230263	Washer for set clamp		YN...Hx9,YS...Hx7
25	KC330410	Lock connecting rod(L=2000)	4	
26		Hex.socket set screw M4x4		
27	KF330381	Thread change control grip	2	
28	HT230180	Rotary plate joint pin	Hx1	
29		Hex.socket bolt M3x8		
30		Hex.socket button bolt M4x5		
31	A9012053	Hex.socket set screw(With steel ball) M6x0.75x8	Hx2	
32	LB230080	Cloth set support rubber		YN...Hx9,YS...Hx7



BENS-YN/YS BENY-YN/YS BENSME-YN/YS BENYME-YN/YS
BENR-YN/YS BENB-YN/YS BENRME-YN/YS BENBME-YN/YS

04B HEAD - BED B

ITEM	LIST NO.	DESCRIPTION	Q'TY	NOTE
1	HB230401	Needle bar driver return spring	Hx1	
2	HB230590	Set screw for return spring	Hx1	
3	HB230390	Needle bar driver fixing pin	Hx1	
4	A9012190	DU-bush(MB0606DU)	Hx1	
5	HB230383	Needle bar driver	Hx1	
6	KB230080	Needle bar driver guide block	Hx1	
7	KB230070	90°crank counter clockwise screw	Hx1	
8	KB230060	Crank rod	Hx1	
9	A9011115	Needle bearing(K9x12x10T2)	Hx1	
10	HB230372	Needle bar driver fixing base	Hx1	
11	HB230420	Needle bar driver stopper set collar	Hx1	
12	HB230414	Needle bar driver stopper	Hx1	
13	KL230280	Lock lever(With roller)	Hx1	
14	KF230630	Lock lever shaft	Hx1	
15	KF230650	Lock lever bracket	Hx1	
16	KF230640	Lock connecting bar clamp	Hx1	
17	KF330381	Thread change control grip	2	
18	KC330410	Lock connecting rod(L=2000)		
19	KF230661	Lock lever spring	Hx1	
20	KF230670	Lock lever spring pin	Hx1	
21	HT230201	Needle bar driver(A'ssy)	Hx1	
22		Hex.socket set screw M4x4(With adhesion)		
23		Hex.socket bolt M4x12		
24		Hex.socket bolt M4x15		
25		Hex.nut M8		
26		Hex.nut M4		
27		Hex.socket set screw M4x6		
28		Hex.socket set screw M4x5		
29		Hex.socket bolt M5x10		
30		Hex.nut M10		

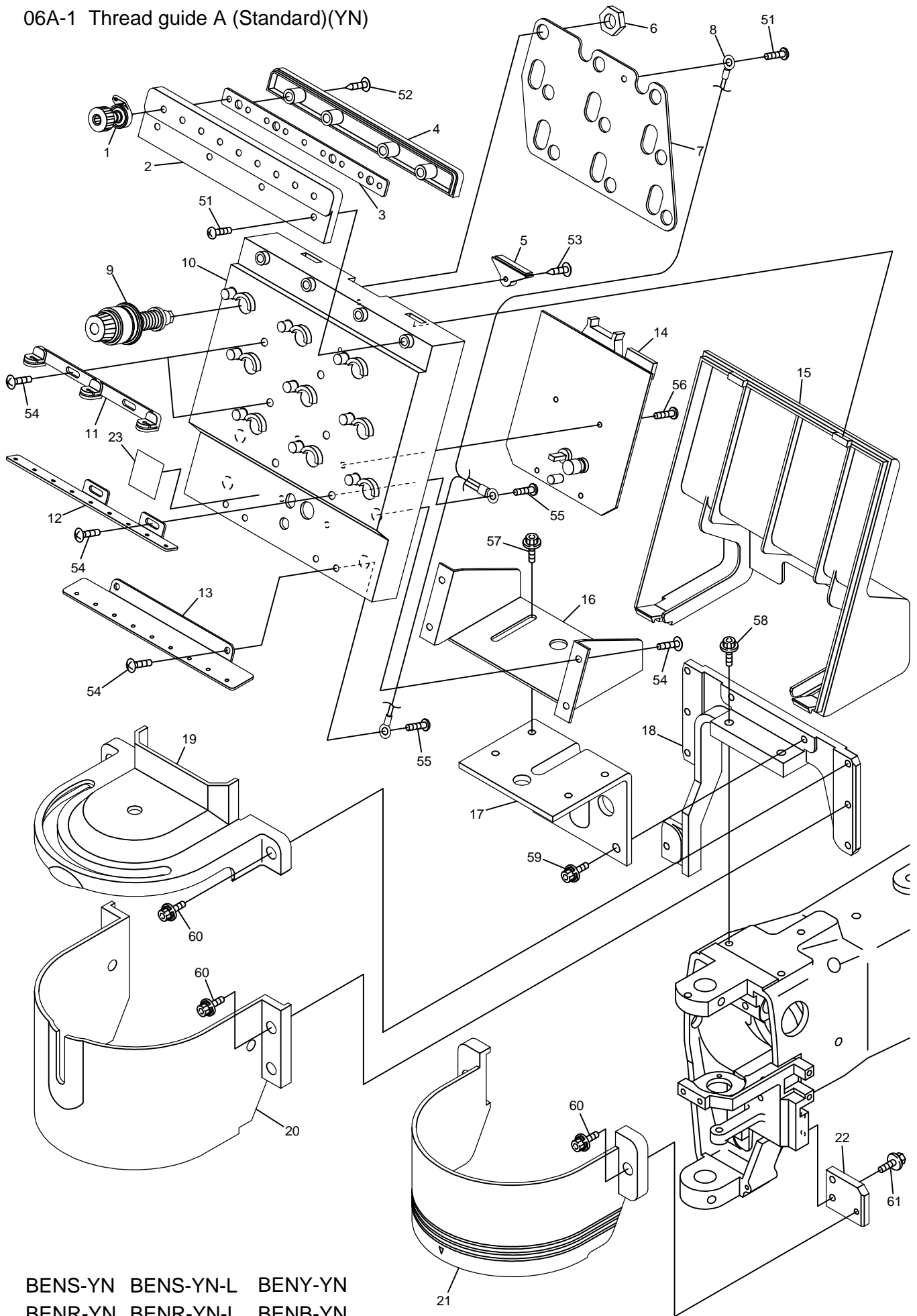


From the library of: Diamond Needle Corp

BENS-YN/YS BENS-YN/YS-L BENY-YN/YS BENSME-YN/YS BENYME-YN/YS
 BENR-YN/YS BENR-YN/YS-L BENB-YN/YS BENRME-YN/YS BENBME-YN/YS

ITEM	LIST NO.	DESCRIPTION	Q'TY	NOTE
1	HB230460	Needle bar stopper fixing pin	Hx1	
2	HT230220	Needle bar stopper	Hx1	
3	KB230170	Needle bar stopper bracket	Hx1	
4	A9056027	Rotary solenoid 3ER35-35x3x8x9 M960372R(ETL)	Hx1	
5	HB230560	Sheet for rotary solenoid	Hx1	
6	KB240030	Jump solenoid fixing bracket	Hx1	
7	KB210170	Solenoid bracket fixing base	Hx1	
8	HB230580	Solenoid noise prevention cover	Hx1	
9	HB240020	Jump solenoid lever	Hx1	
10	HB240030	Jump solenoid lever pin	Hx1	
11	HB240041	Jump eccentric	Hx2	
12	KT240010	Manual cancel a'ssy	Hx1	
13	HB240110	Cancel return spring	Hx1	
14	HT240580	Manual cancel pin	Hx1	
15	HT240570	Cancel rod	Hx1	
16	KB240040	Cancel bracket	Hx1	
51		Hex.nut M4		
52		Hex.socket button bolt M4x10		
53		Hex.socket bolt M4x12		
54		Hex.socket set screw M4x4(With adhesion)		
55		Hex.socket bolt M4x8		
56		Hex.socket button bolt M4x12 (With adhesion)		
57		Hex.socket set screw(Flat point) M4x4		
58		Hex.socket button bolt M4x5		

06A-1 Thread guide A (Standard)(YN)



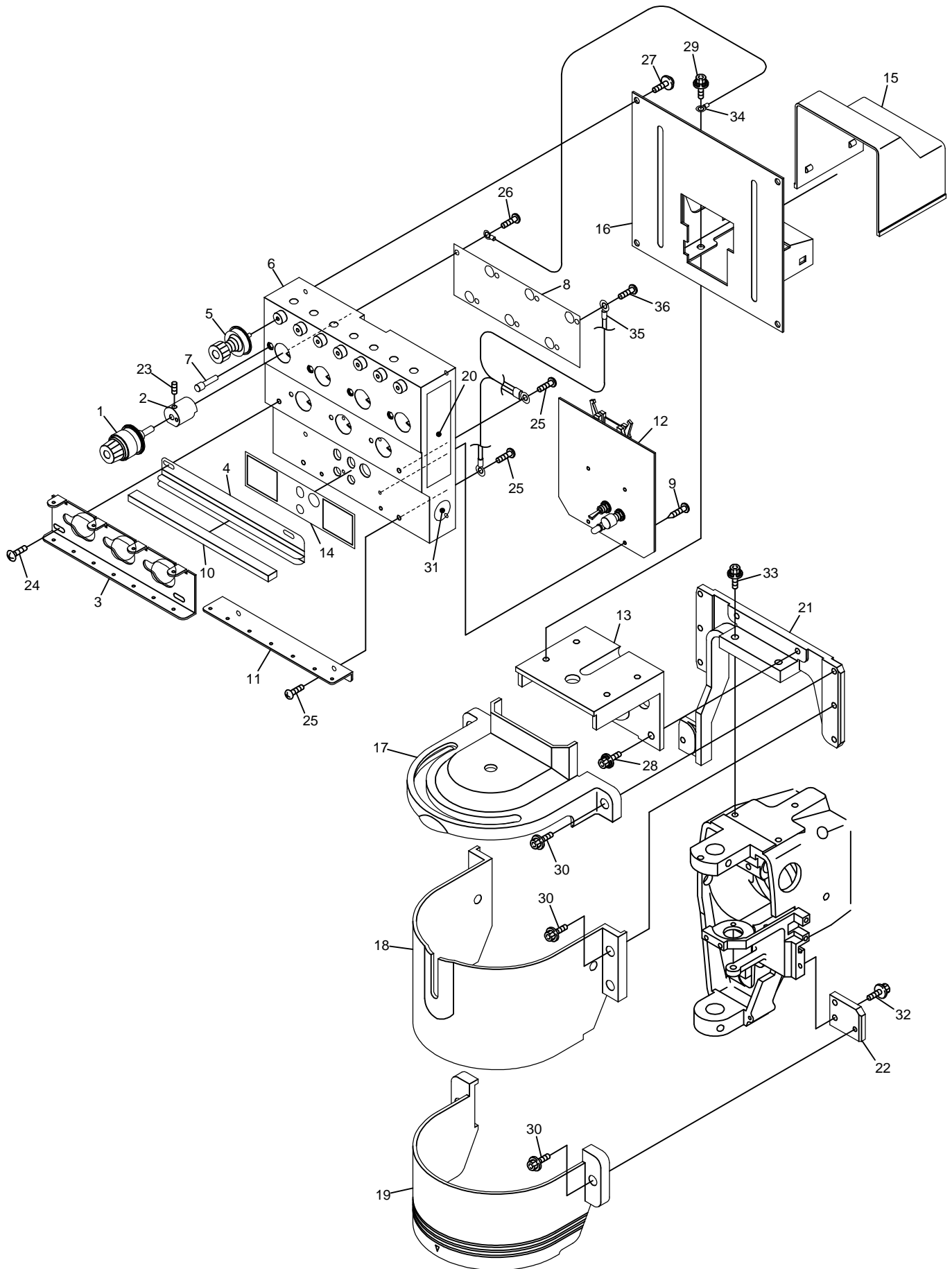
From the library of: Diamond Needle Corp

BENS-YN BENS-YN-L BENY-YN
 BENR-YN BENR-YN-L BENB-YN

06-A-1 THREAD GUIDE A STANDARD (YN)

ITEM	LIST NO.	DESCRIPTION	Q'TY	NOTE
1	HT240340	Second guide for upper tension	Hx9	Except for NS/NR-YN-L
	LB240070	Second guide for upper tension (Without pin)	Hx9	NS/NR-YN-L
2	HT240210	First thread guid fixing case	Hx1	
3	HT240230	First thread guid fixing base	Hx1	
4	HT240220	First thread guid fixing cover	Hx1	
5	HT240240	Blind cap	Hx1	
6	HT240180	SM-nut	Hx9	
7	HT240160	Tension earth plate	Hx1	
8	A9053078	Tension base earth cable YN	Hx1	
9	HT240526	Dial tension a'ssy(YN)	Hx9	Except for NS/NR-YN-L
	LB240060	Dial type tension unit a'ssy (YN,thick type)	Hx9	NS/NR-YN-L
10	HT240121	Tension base case a'ssy	Hx1	
11	HT240062	First thread guide(YN)	Hx2	
12	HT240392	Thread guide plate(YN)	Hx1	
13	HT240021	Second thread guide plate(YN)	Hx1	
14	EBY01150	4620 Head board for N	Hx1	
15	HT240130	Tension base cover	Hx1	
16	HT240140	Tension base	Hx1	
17	KB240051	Tension base bracket{Multi(NS)}	Hx1	
18	KB250050	Sewing head cover fixing bracket	Hx1	
19	KB250020	Sewing head cover(A)	Hx1	
20	KB250030	Sewing head cover(B)	Hx1	
21	KB250040	Sewing head cover(C)	Hx1	
22	KB250060	Sewing head cover fixing stay	Hx1	
23		Number label	Hx1	
51		Pan screw M3x6		
52		Tapping screw ? M3x12		
53		Tapping screw M3x12		
54		Truss screw M4x6		
55		Pan screw M4x6		
56		Pan head tapping screw B tight M3x8		
57		Hex.socket bolt with washers M5x10		
58		Hex.socket bolt with washers M5x20		
59		Hex.socket bolt with washers M5x15		
60		Hex.socket bolt with washers M4x6		
61		Hex.socket bolt M4x15(With washers)		

06A-2 Thread guide A (Standard)(YS)



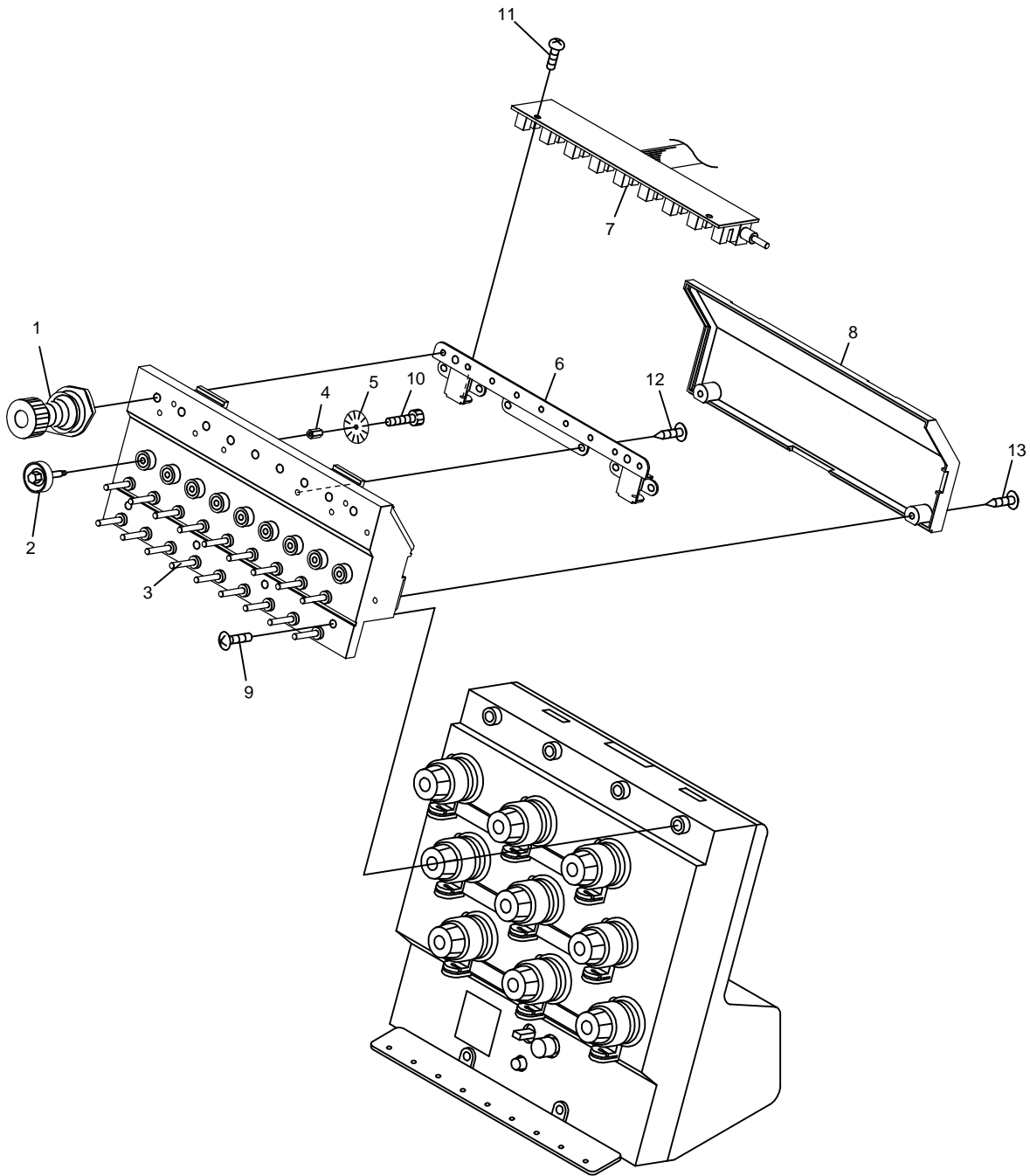
From the library of: Diamond Needle Corp

BENS-YS BENS-YS-L BENY-YS BENSME-YS BENYME-YS
 BENR-YS BENR-YS-L BENB-YS BENRME-YS BENBME-YS

06A-2 THREAD GUIDE A (STANDARD YS)

ITEM	LIST NO.	DESCRIPTION	Q'TY	NOTE
1	HT240531	Dial tension a'ssy(YS)	Hx7	
2	HP241151	Thread tension base	Hx7	
3	HP241180	First thread guide(7)	Hx1	
4	HP241460	Thread guide felt fixing plate(7)	Hx1	
5	HP241440	Thread guide for first tension(D=13.5)		Except for NS/NR-YS-L
	LB240040	Thread guide for first tension(D=13.5)		NS/NR-YS-L
6	HP241123	Tension base case a'ssy(7 needles)	Hx1	
7	HP241160	Upper thread detection pin	Hx7	
8	HP241381	Tension earth plate(7)	Hx1	
9		Tapping screw 2x8		
10	HP241480	Thread guide felt(7)	Hx1	
11	HB240261	Second thread guide plate(7)	Hx1	
12	EBY01640	4620 Head board for N(YS)	Hx1	
13	HB240382	Tension base bracket	Hx1	
14	KU241400	Tension base label	Hx1	
15	KB240100	Tension cable cover	Hx1	
16	KB240060	Tension base(7)	Hx1	
17	KB250020	Sewing head cover A	Hx1	
18	KB250030	Sewing head cover B	Hx1	
19	KB250040	Sewing head cover C	Hx1	
20	HB790030	Tension base caution label	Hx2	
21	KB250050	Sewing head cover fixing bracket	Hx1	
22	KB250060	Sewing head cover fixing stay	Hx1	
23		Set screw(SM11/64 40x5.5)		
24		Truss screw M4x6		
25		Pan screw M4x6		
26		Pan screw M3x4		
27		Pan screw M4x8(With plain washer)		
28		Hex.socket bolt M5x15(With washers)	Hx2	
29		Hex.socket bolt M5x10(With washers)	Hx4	
30		Hex.socket bolt M4x6(With plain washer)		
31	HB240390	Hex.label(tension base)	Hx1	
32		Hex.socket bolt M4x15(With washers)		
33		Hex.socket bolt(With washers)		
34	HV240000	Tension earth cable	Hx1	
35	A9053080	Tension base earth cable YS	Hx1	
36		Pan screw M3x6		

06B-1 Thread guide B (Lower thread sensorium)(YN)



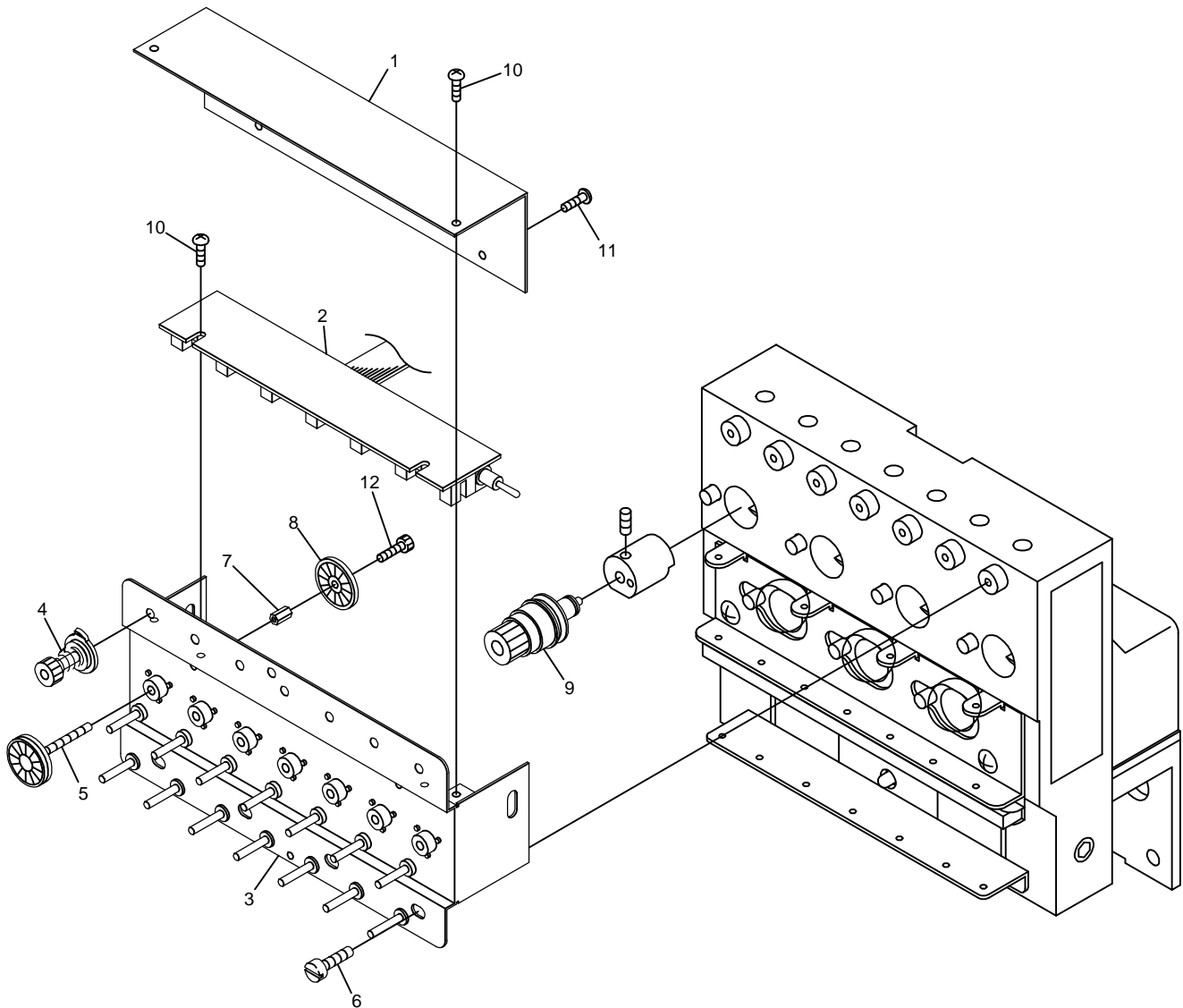
From the library of: Diamond Needle Corp

BENS-YN BENS-YN-L BENY-YN
 BENR-YN BENR-YN-L BENB-YN

BENSME-ZN BENYME-ZN BENT-ZN BENSHE-YN BENSHE-YN-S BENSHE-YN-B BENSHE-YN-BS
 BENRME-ZN BENBME-ZN BENRH-YN BENRH-YN-S BENRH-YN-B BENRH-YN-BS

BENYH-YN BENYH-YN-C BENSHE-YN BENYHE-YN BENYHE-YN-B BENYHE-YN-C
 BENBH-YN BENRHE-YN BENBHE-YN BENBHE-YN-B BENBHE-YN-C

06B-2 Thread guide B (Lower thread sensorium)(YS)



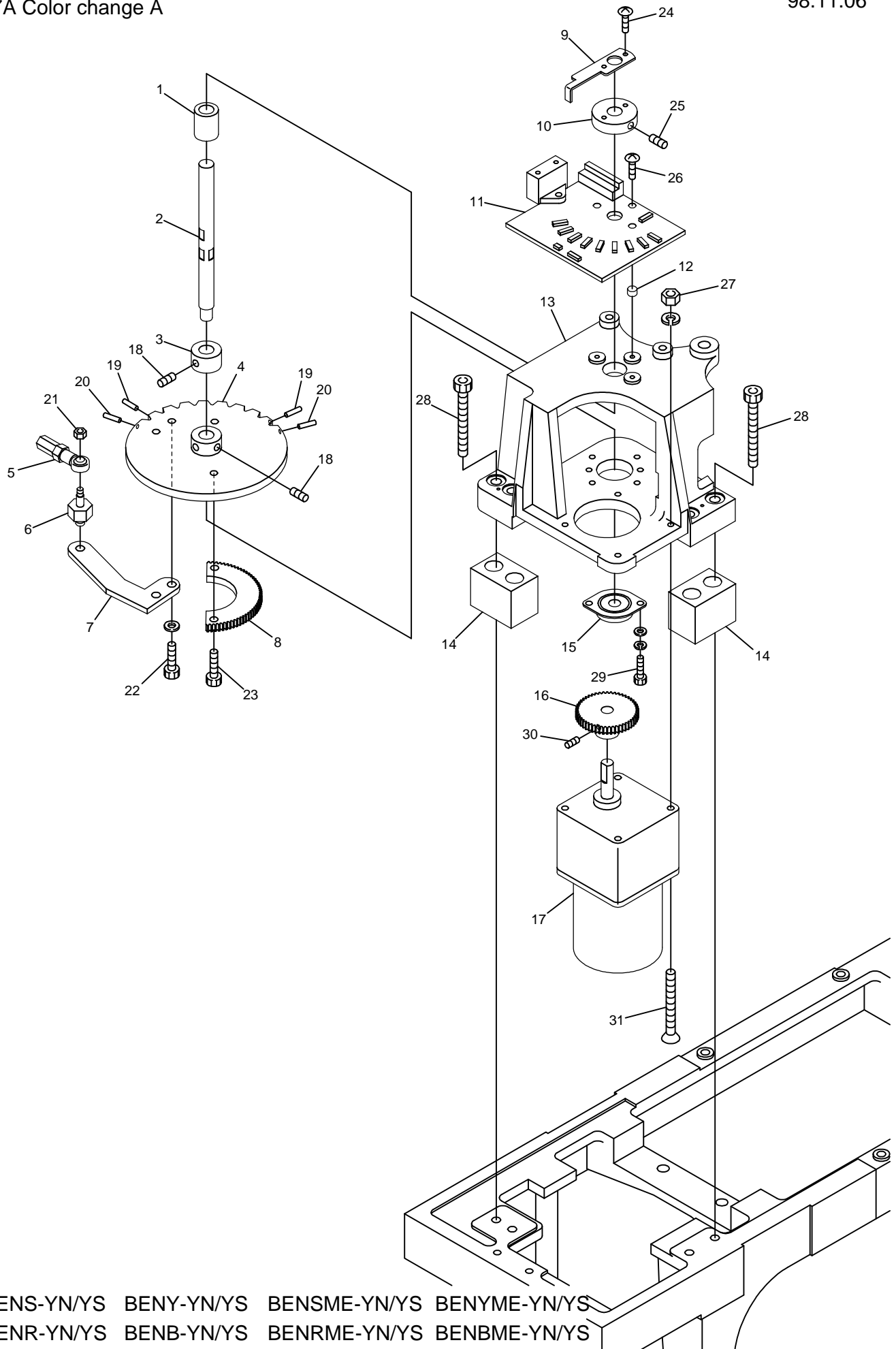
From the library of: Diamond Needle Corp

BENS-YS BENS-YS-L
 BENR-YS BENR-YS-L

BENY-YS BENS-YS BENS-YS-S BENS-YS-B BENS-YS-BS BENSHE-YS
 BENB-YS BENRH-YS BENRH-YS-S BENRH-YS-B BENRH-YS-BS BENRHE-YS

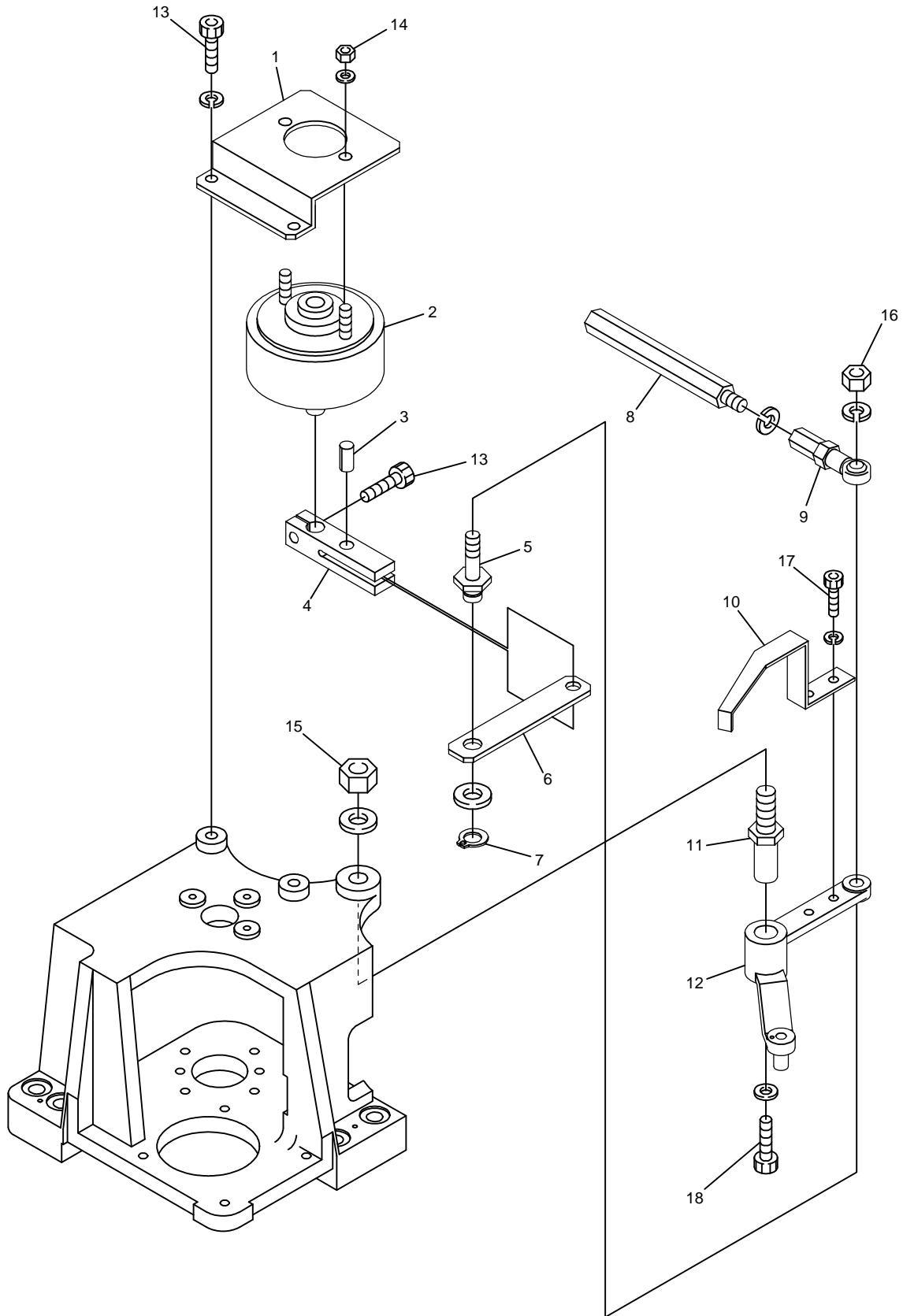
ITEM	LIST NO.	DESCRIPTION	Q'TY	NOTE
1	HB540070	Lower thread detection box cover(7)	Hx1	
2	EBY00920	Lower thread detection sensor board(7) 4670 with cable	Hx1	
3	HB540050	Lower thread detection box(7)	Hx1	
4	HP241430	Thread guide for second tension(D=13.5)	Hx7	Except for NS/NR-YS-L
	LB240020	Thread guide for second spool holder (D=13.5)	Hx7	NS/NR-YS-L
5	KN540500	Tension wheel shaft a'ssy	Hx7	
6	A9012324	Set screw SM11/64x7L(Chrome)		
7	KN540510	Tension wheel nut	Hx7	
8	KN540520	Lower thread detection sensor disk	Hx7	
9	HT240531	Dial thread tension a'ssy(YS)	Hx7	Except for NS/NR-YS-L
	LB240040	Dial thread tension a'ssy	Hx7	NS/NR-YS-L
10		Truss screw M3x4		
11		Tapping screw truss head f3x8		
12		Hex.socket bolt M2x3		

From the library of: Diamond Needle Corp



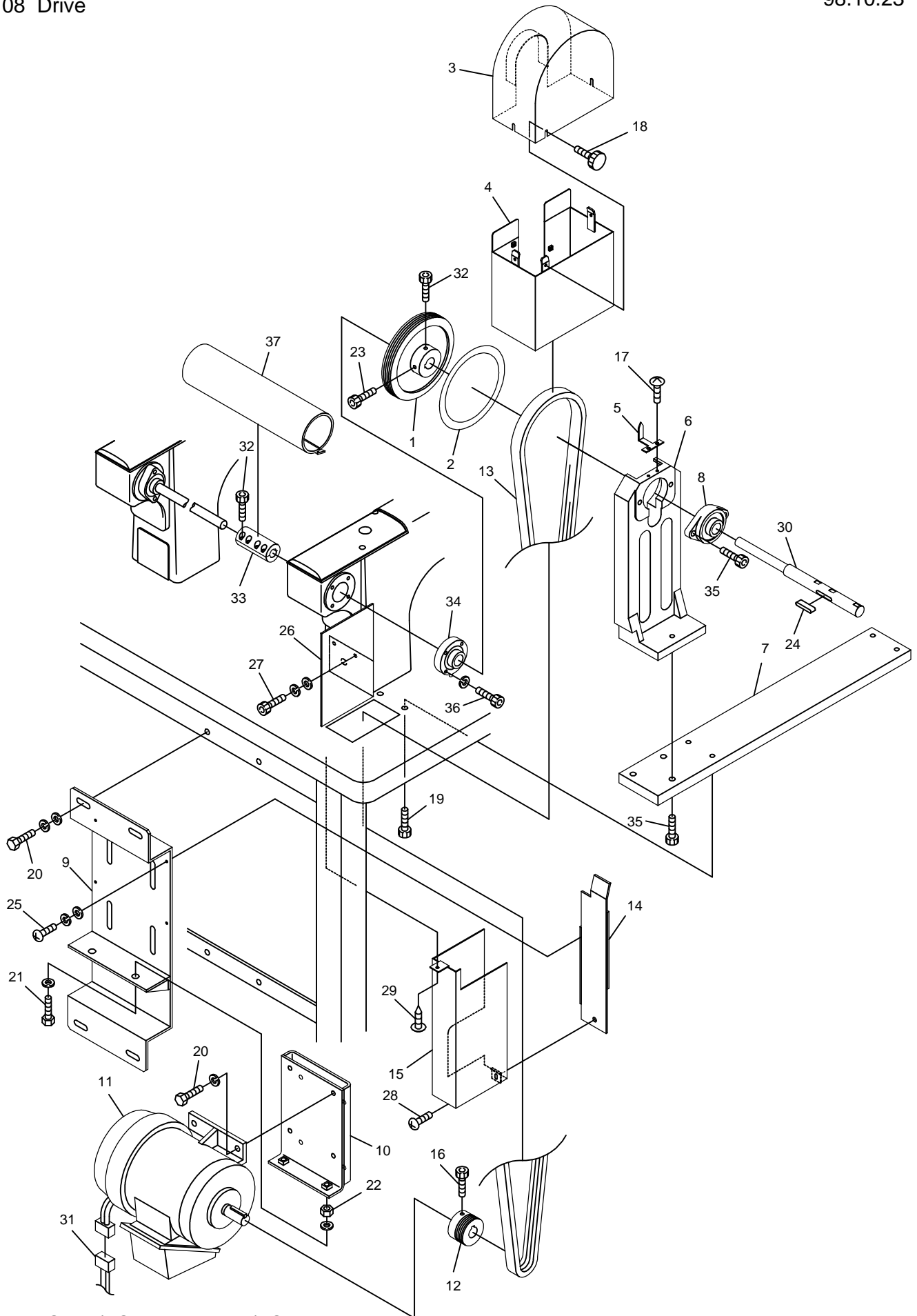
BENS-YN/YS BENY-YN/YS BENSME-YN/YS BENYME-YN/YS
BENR-YN/YS BENB-YN/YS BENRME-YN/YS BENBME-YN/YS

ITEM	LIST NO.	DESCRIPTION	Q'TY	NOTE
1	KC330190	Oilless metal bush	1	
2	KC330161	Needle turning shaft	1	
3	KC330180	Collar 10 dia.	1	
4	KT330001	Control turning plate(YN multi)	1	
5	A9012001	Uniball joint(RD4020R)	1	
6	KF230360	Rotary plate joint pin	1	
7	KL330040	Rotary plate lever	1	
8	KG330220	Needle turning gear No.2	1	
9	KC330280	Needle bar detection plate	1	
10	KC330170	Detection plate collar	1	
11	EBY01120	3760 needle positioner	1	
12	A9012208	Spacer(Roll bush) 5x4	3	
13	KC330130	Needle turning unit base	1	
14	KL330050	Unit base spacer	2	
15	KC330620	Flange unit SFB34-8C	1	
16	KC330210	Needle turning gear No.1(0.8M50T)	1	
17	A9065035	Gear motor RM-F6A5PC3R163-120	1	
18		Hex.socket set screw M5x6		
19		Spring pin 3x12	2	YS only
20		Spring pin 3x12	2	YN only
21		Hex.nut M5		
22		Hex.socket bolt M5x15		
23		Hex.socket bolt M5x12		
24		Truss screw M3x6		
25		Hex.socket set screw M5x10		
26		Truss screw M3x12		
27		Hex.nut M4		
28		Hex.socket bolt M6x60		
29		Hex.socket bolt M4x12		
30		Hex.socket set screw M4x8		
31		Raised of countersunk screw M4x65		



BENS-YN/YS BENS-YN/YS-L BENY-YN/YS BENSME-YN/YS BENYME-YN/YS
BENR-YN/YS BENR-YN/YS-L BENB-YN/YS BENRME-YN/YS BENBME-YN/YS

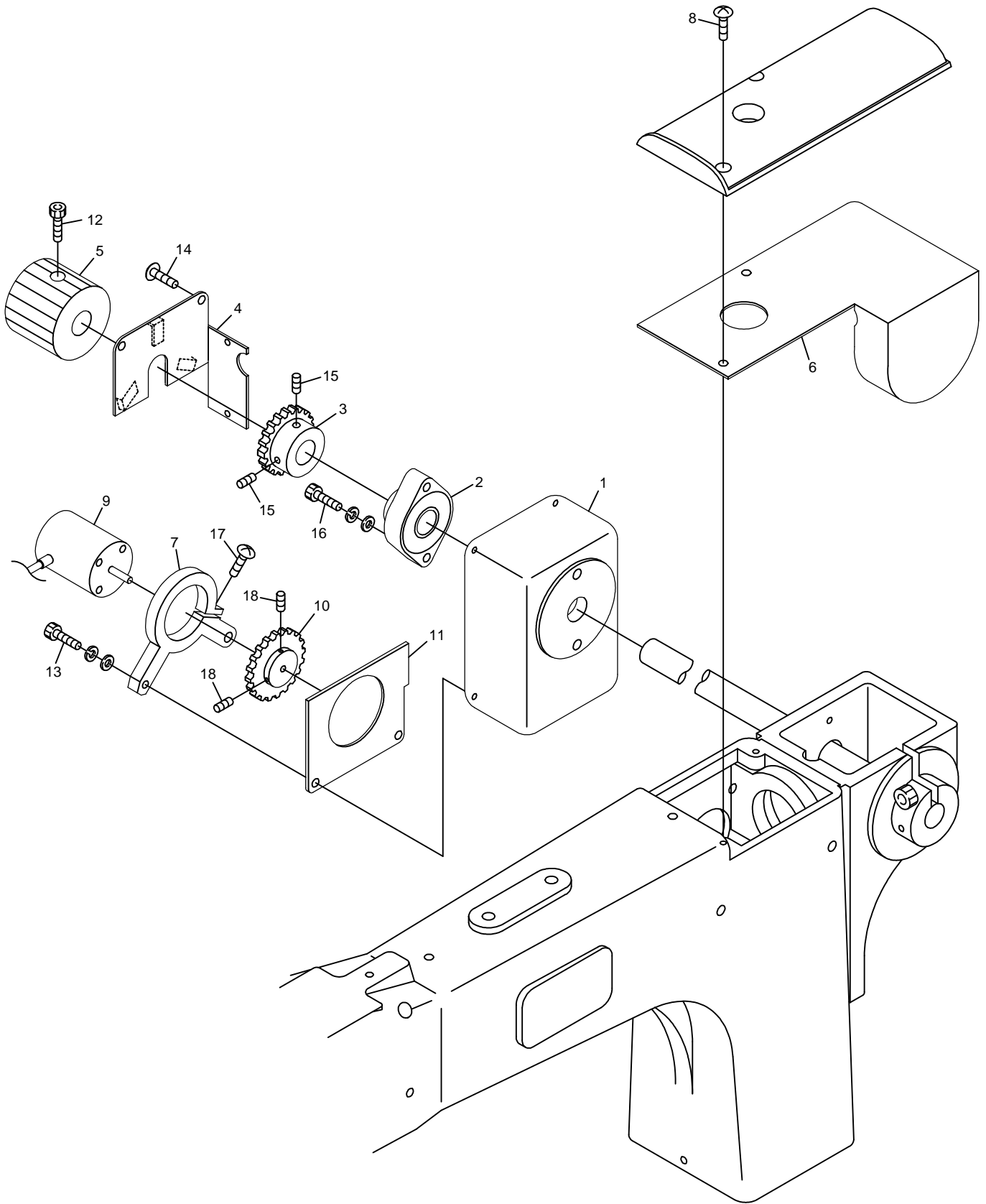
ITEM	LIST NO.	DESCRIPTION	Q'TY	NOTE
1	KC330260	Rotary solenoid bracket	1	
2	KC330850	Rotary solenoid 6SR-25(27x4x9) L=15	1	
3	A9012143	Spring pin 6 dia. L=12	1	
4	KN330240	Lock solenoid lever	1	
5	KC330230	Link lock lever pin	1	
6	KN330250	Link lock lever	1	
7	A9012137	Snap ring 8 dia.	1	
8	KC330510	Hex.connecting bar(Large)	1	
9	A9012002	Uniball joint(PR-6)	1	
10	KC330290	Lock detection plate	1	
11	KF230630	Lock lever shaft	1	
12	KG230610	Lock lever	1	
13		Hex.socket bolt M5x12		
14		Hex.nut M4		
15		Hex.nut M8		
16		Hex.nut M6		
17		Hex.socket bolt M4x8		
18		Hex.socket flange bolt M5x4		



BENS-YN/YS BENY-YN/YS
BENR-YN/YS BENB-YN/YS

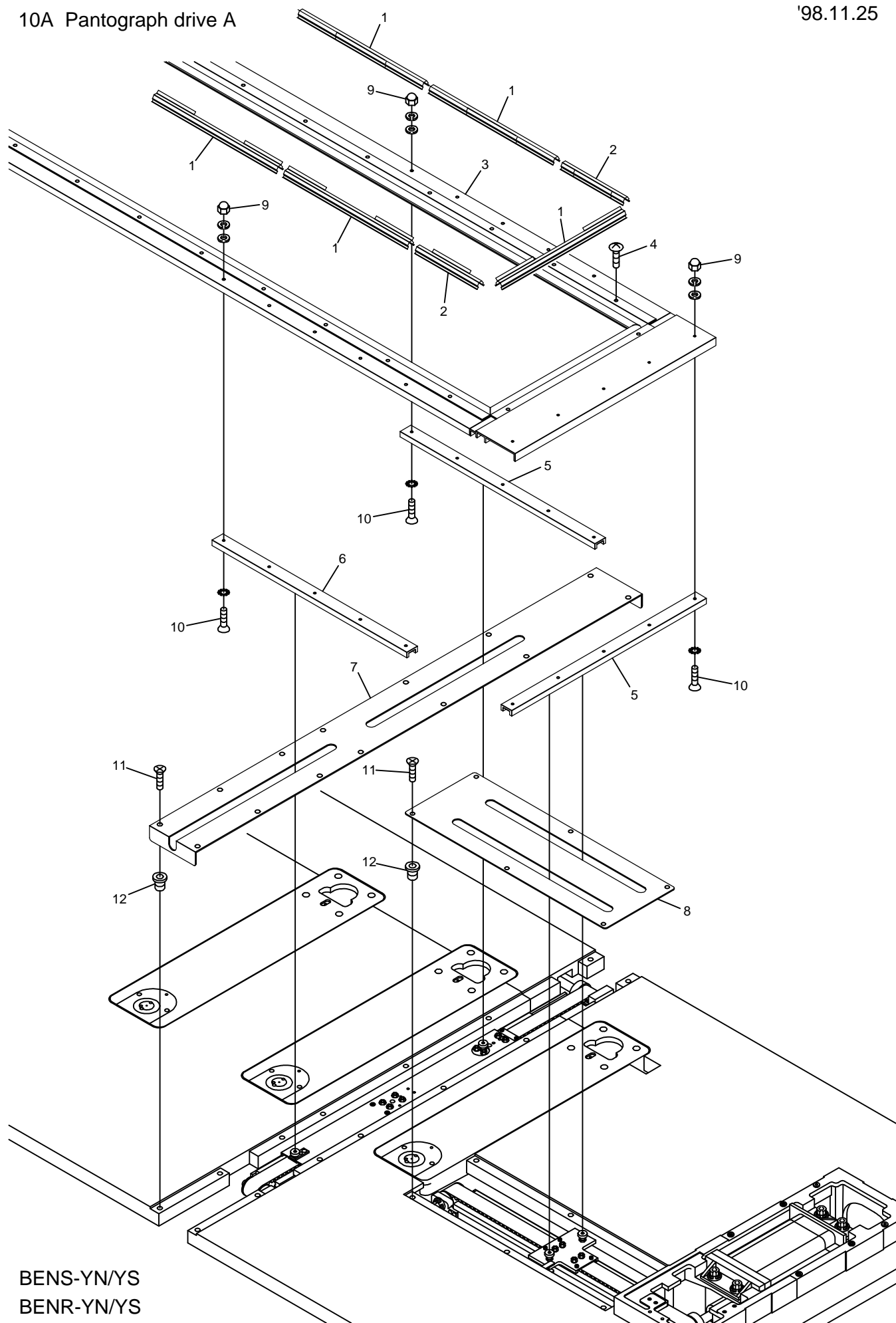
ITEM	LIST NO.	DESCRIPTION	Q'TY	NOTE
1	KN310000	Drive pulley 152.2 dia.	1	
2	HP313691	Rotary angle label(B)	1	
3	KV310041	Belt cover(Upper)	1	
4	KV310050	Belt cover(Lower)	1	
5	KV310090	Angle gauge	1	
6	KV310021	Main shaft hold bracket	1	
7	KV310031	Main shaft hold bracket base(Plain bed)	1	
8	A9011017	Bearing unit(BLF 204)	1	
9	KV310070	Motor base(BENS)	1	
10	KV310080	Motor fixing base(BENS)	1	
11	HB310280	Motor FBK8-4P-0.75KW VF3(With cable)	1	
12	KN310010	Motor pulley	1	
13	A9020200	Ribstar belt(4PK-1240)	1	
14	KV310110	Belt cover bracket(BENS)	1	
15	KV310101	Belt cover(BENS)	1	
16		Hex.socket bolt M6x12		
17		Pan screw M4x8		
18	A9012320	Screw	1	
19		Hex.socket bolt M8x20		
20		Hex.bolt M8x15		
21		Hex.bolt M8x55		
22		Hex.nut M8		
23		Hex.socket bolt M5x15		
24	VV310210	Both round parallel key(6x6x35)	1	
25		Pan screw M4x8		
26	KR310041	Belt cover bracket	1	
27		Hex.socket bolt M4x6		
28		Pan screw M4x6		
29		Pierce screw 5x19		
30	HB320070	Upper shaft connecting shaft(15x3300)	1	?
	KC320820	Upper shaft connecting shaft(15x5700)	1	?
31	A9053070	NS motor cable(7.5W)	1	
32		Hex.socket bolt M5x18		
33	HP321100	Lower shaft connecting coupling	1	
34	A9011119	Ball bearing JAF(SH204)	1	
35		Hex.socket bolt M8x25		
36		Hex.socket bolt M5x25		
37	1PKVxxxxx	Shaft cover set	1 Set	Choice and use

09 Connecting shaft

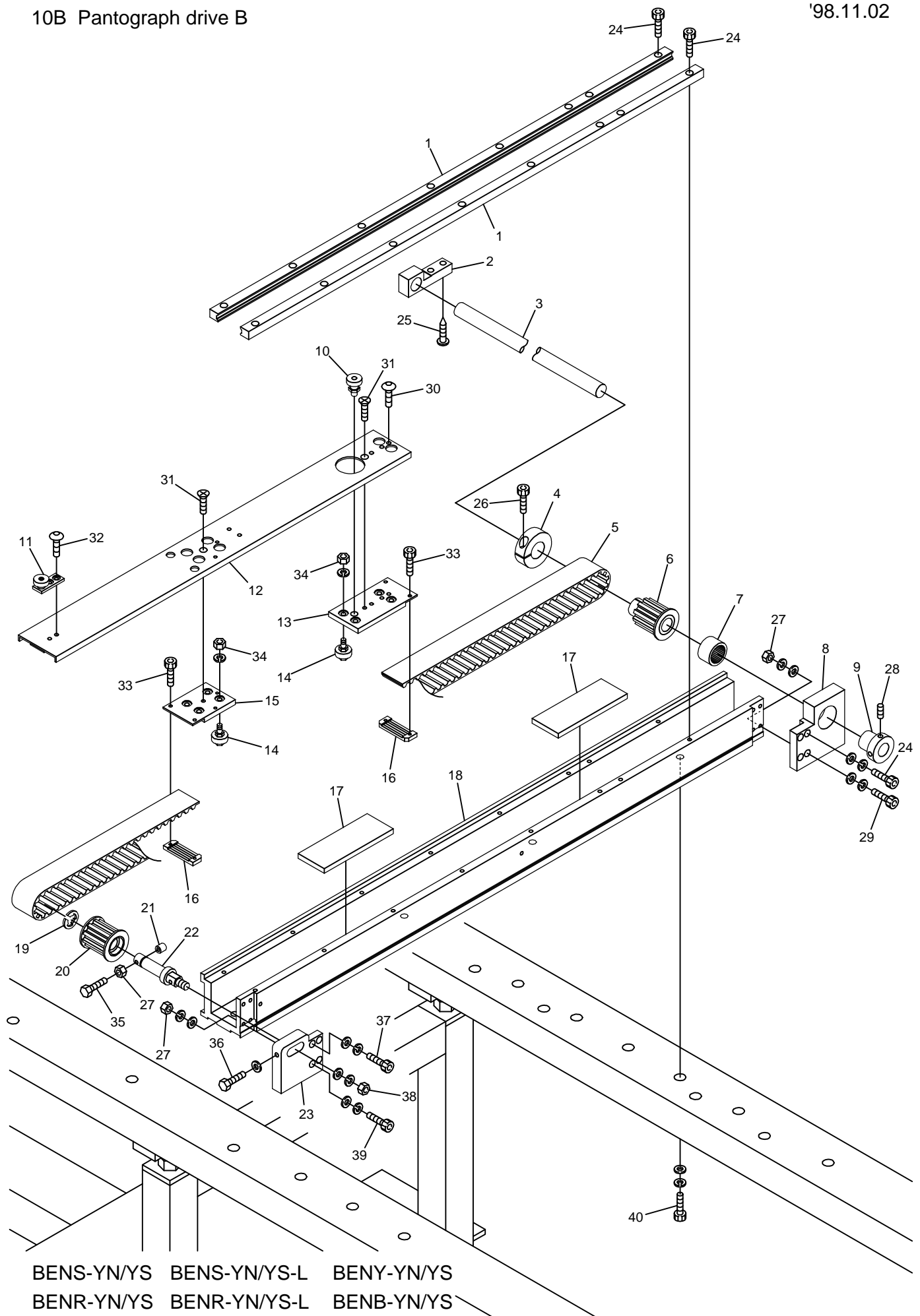


From the library of: Diamond Needle Corp

BENS-YN/YS BENS-YN/YS-L BENY-YN/YS BEDSME-ZN/ZQ-A BENYME-ZN/ZQ
 BENR-YN/YS BENR-YN/YS-L BENB-YN/YS BENBME-ZN/ZQ



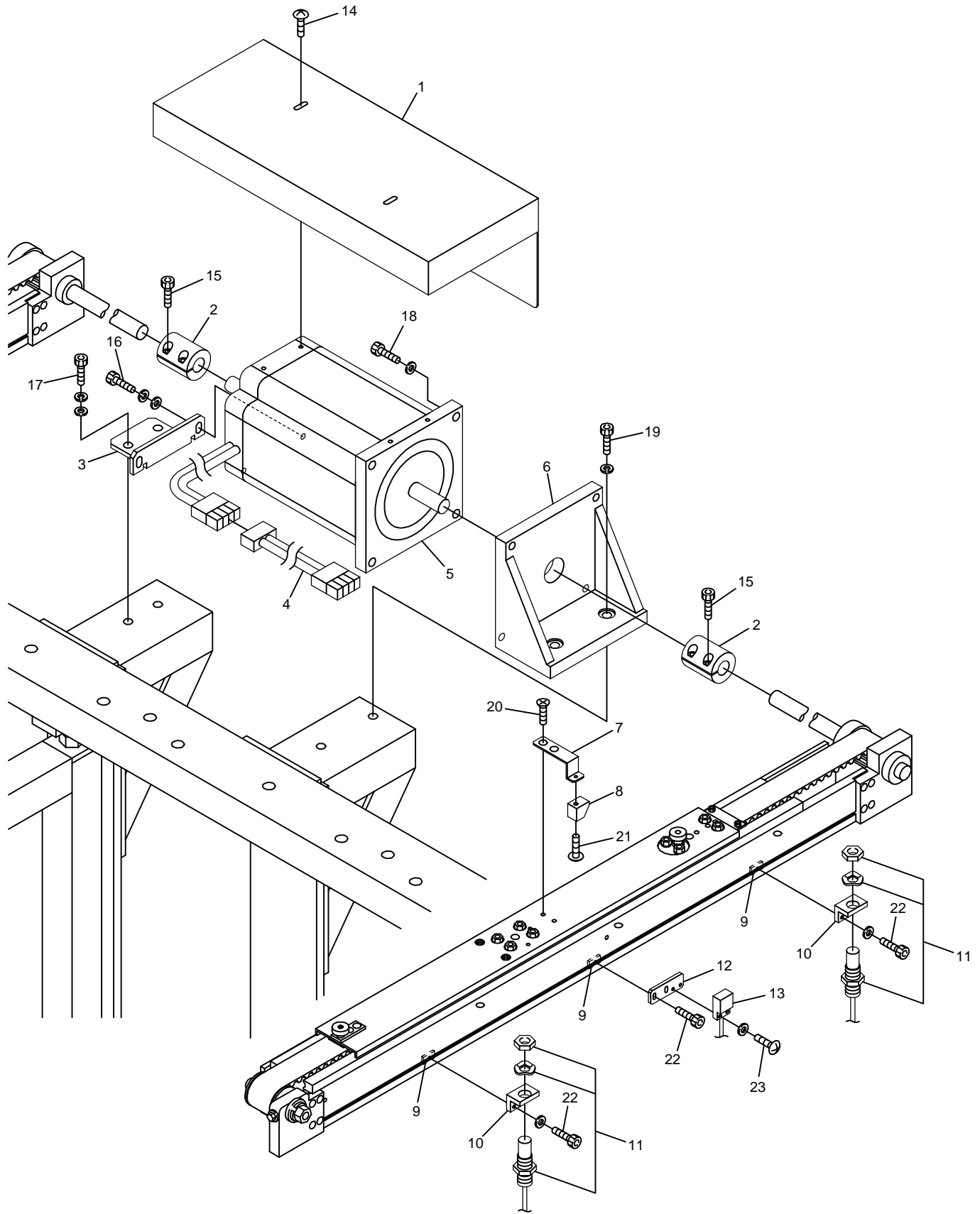
BENS-YN/YS
BENR-YN/YS



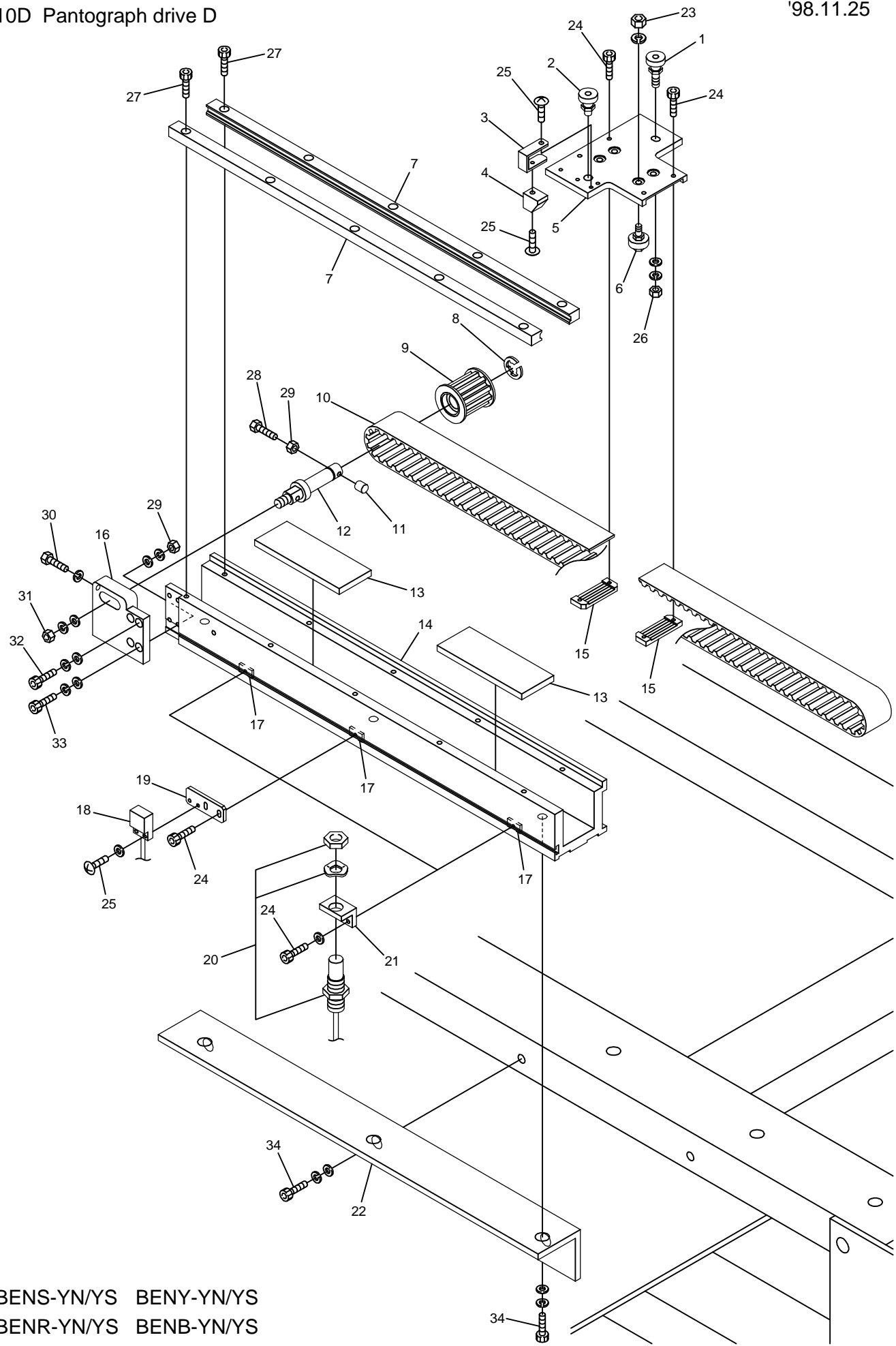
From the library of: Diamond Needle Corp

BENS-YN/YS BENS-YN/YS-L BENY-YN/YS
BENR-YN/YS BENR-YN/YS-L BENB-YN/YS

ITEM	LIST NO.	DESCRIPTION	Q'TY	NOTE
1	KN483450	V-guide rail(L=660)	Rx2	
2	HV480070	Pulse motor connecting shaft support	2	
3		H-pulse motor connecting shaft f15	2	
4	HH481980	19 dia. clamping	Rx1	
5	HV480110	Free span belt(300S5M)	Rx1	
6	HV480040	Pantograph driving pulley(Rear)	Rx1	
7	A9011063	Needle bearing(TLA2016)	Rx1	
8	KR480050	H/V-guide pulley bracket(Rear)	Rx1	
9	HH481970	Pulse motor connecting shaft collar	Rx1	
10	HP483370	Guide rail bearing pin a'ssy	Rx1	
11	HP483391	Guide rail bearing pin a'ssy(H)	Rx1	
12	KN483442	H-member connectig channel	R-1	
	KN483460	H-member connectig channel	1	For pantograph stop
13	KN482871	H-roller base(Rear)	Rx1	
14	HP482950	Roller pin a'ssy A	Rx8	
15	KN482880	H-roller base(Front)	Rx1	
16	HP482940	Timing belt set rack(5M)	Rx2	
17	KN480061	Raile base felt(100x38x6)	Rx2	
18	KV480010	H-guide rail base(BENS)	Rx1	
19	A9012052	E-ring(f10)	Rx1	
20	HV480050	Pantograph driving pulley(Front)	Rx1	
21	HH482110	Pulley shaft bolt cap	Rx1	
22	HH481991	Timing pulley shaft	Rx1	
23	KR480060	H/V-guide pulley bracket(Front)	Rx1	
24		Hex.socket bolt M4x15		
25		Pierce screw 5x23		
26		Hex.socket bolt M5x18		
27		Hex.nut M4		
28		Hex.socket set screw M5x8		
29		Hex.socket bolt M4x20		
30		Hex.socket button bolt M4x8		
31		Flush screw M4x8(Undercut)		
32		Hex.socket button bolt M4x5		
33		Hex.socket bolt M3x6		
34		Hex.nut M5		
35		Hex.bolt M4x35		
36		Hex.bolt M4x25		
37		Hex.socket bolt M4x18		
38		Hex.nut M8		
39		Hex.socket bolt M4x22		
40		Hex.socket bolt M8x22(With washers)		



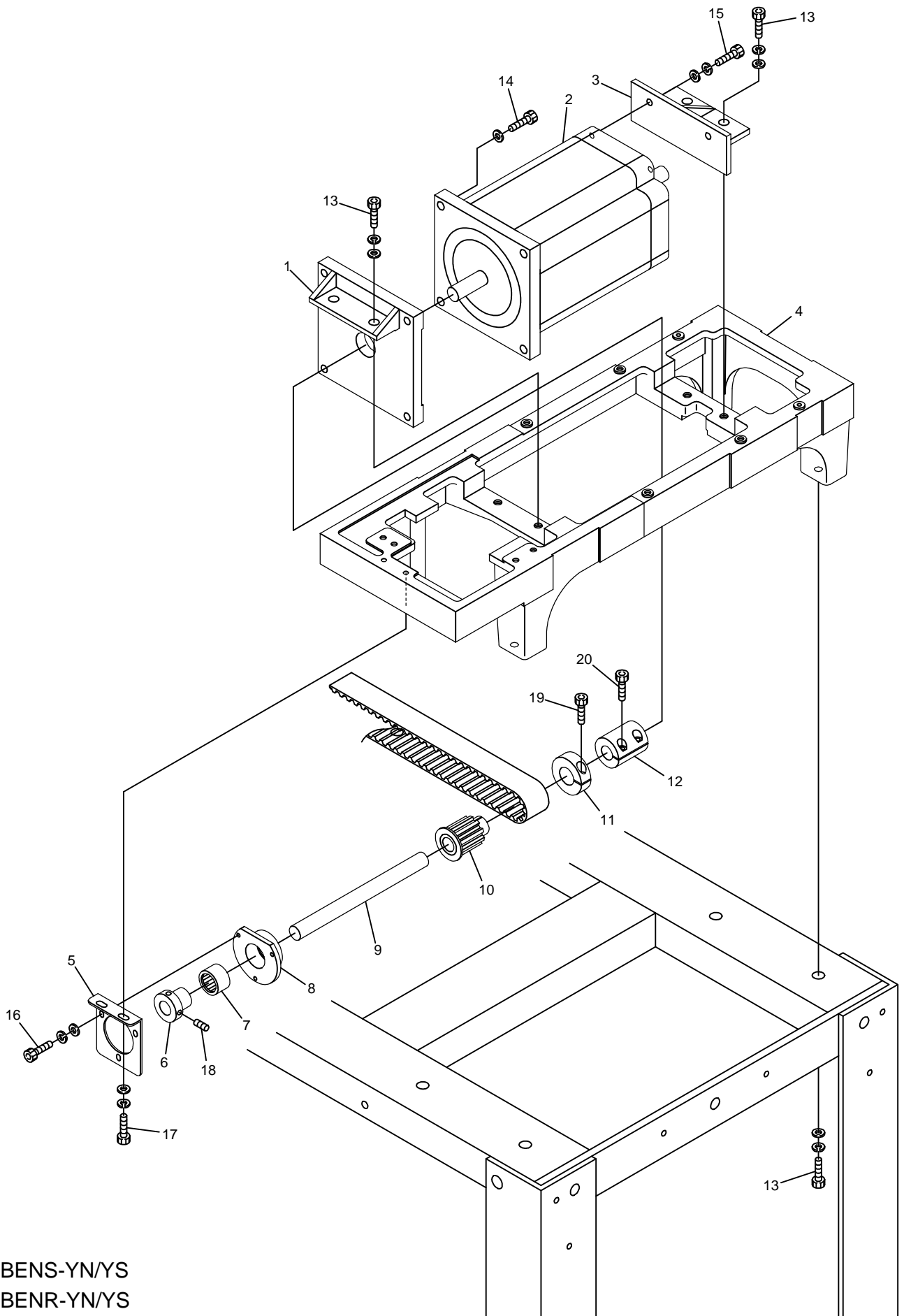
BENS-YN/YS BENS-YN/YS-L
BENR-YN/YS BENR-YN/YS-L



BENS-YN/YS BENY-YN/YS
 BENR-YN/YS BENB-YN/YS

10D PANTOGRAPH DRIVE D

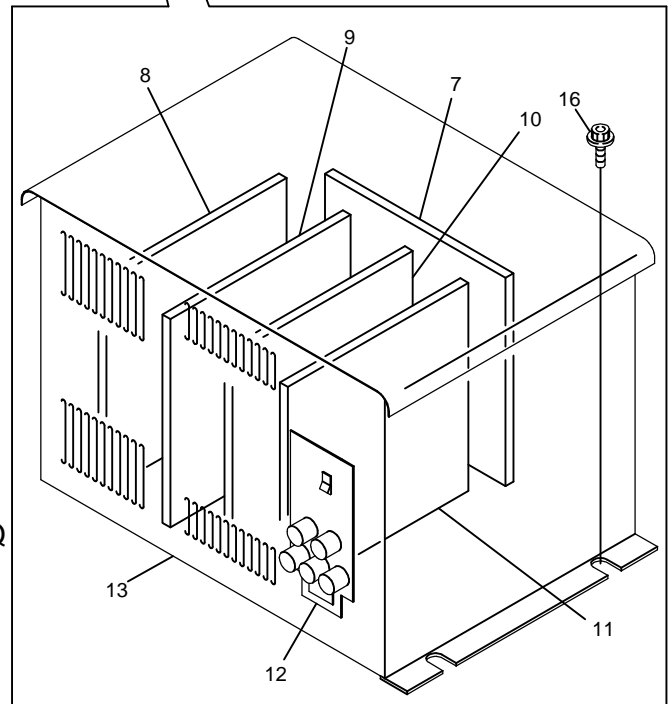
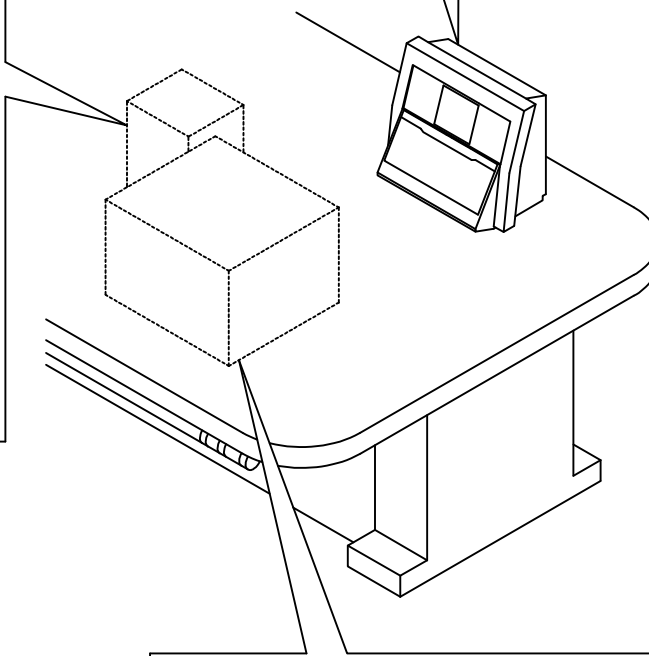
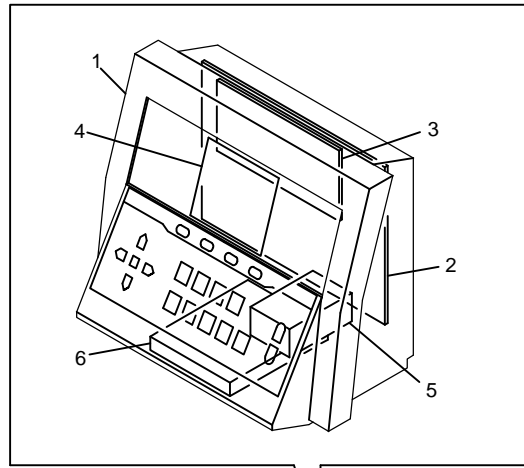
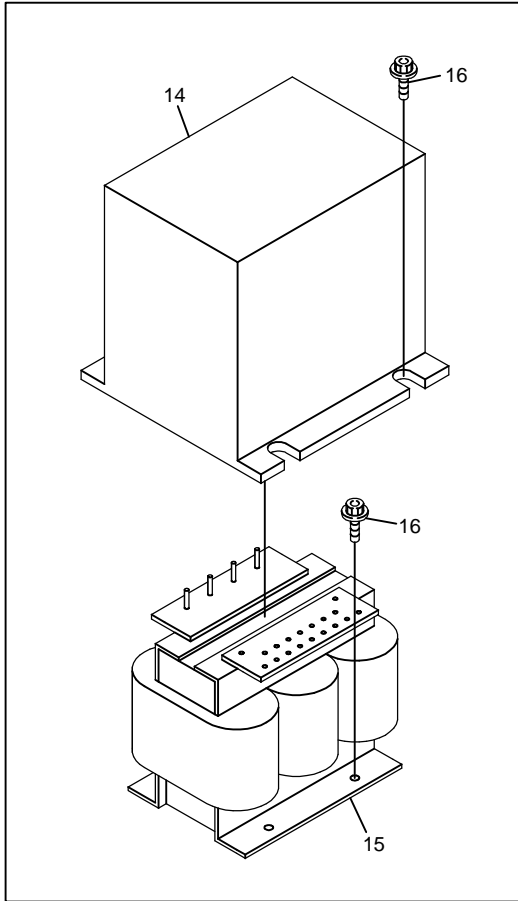
ITEM	LIST NO.	DESCRIPTION	Q'TY	NOTE
1	HP483111	Guide rail bearing pin a'ssy B	1	
2	HP483370	Guide rail bearing pin a'ssy	1	
3	KN450311	V-pantograoh origin point magnet bracket	1	
4	A9052030	Magnet(M-102A-02)	1	
5	KN482890	V-roller base	1	
6	HP482950	Roller pin a'ssy A	4	
7	KK480140	V-guide rail H-side(L=430)	2	
8	A9012052	E-ring (10 dia)	1	
9	HV480040	Pantograph drive pulley(Rear)(S5M)	1	
10	A9020098	Timing belt(300S5M2000)	1	
11	HH482110	Pulley shaft bolt cap	1	
12	HH481991	Timing pulley shaft	1	
13	KN480061	Rail base felt(SR100x38x6)	2	
14	KV480030	V-guide rail base(Stroke 350)	1	
15	HP482940	Timing belt hold rack(5M)	2	
16	KR480060	H.V-guide pulley bracket	1	
17	KU460271	Plate nut(M3)	3	
18	A9052084	Origin point sensor SW-3795	1	
19	KN450301	Proximity switch fixing bracket	1	
20	A9052079	Proximity switch RS-001 NO-16 L700	2	
21	MT460240	RS-001 bracket(V-side)	2	
22	KC470460	V-guide rail base bracket	1	V-stroke 350,480
	KN482620	V-guide rail base bracket(V-stroke 600)	1	V-stroke 600
23		Hex.nut M5		
24		Hex.socket bolt M3x6		
25		Truss screw M3x6		
26		Hex.nut M6		
27		Hex.socket bolt M4x15		
28		Hex.bolt M4x35		
29		Hex.nut M4		
30		Hex.bolt M4x25		
31		Hex.nut M8		
32		Hex.socket bolt M4x18		
33		Hex.socket bolt M4x22		
34		Hex.socket bolt M8x20		



From the library of: Diamond Needle Corp

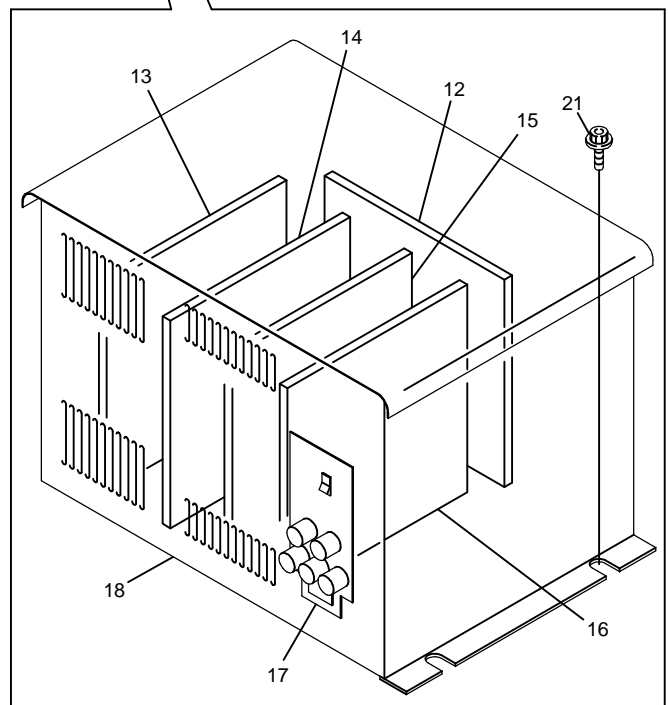
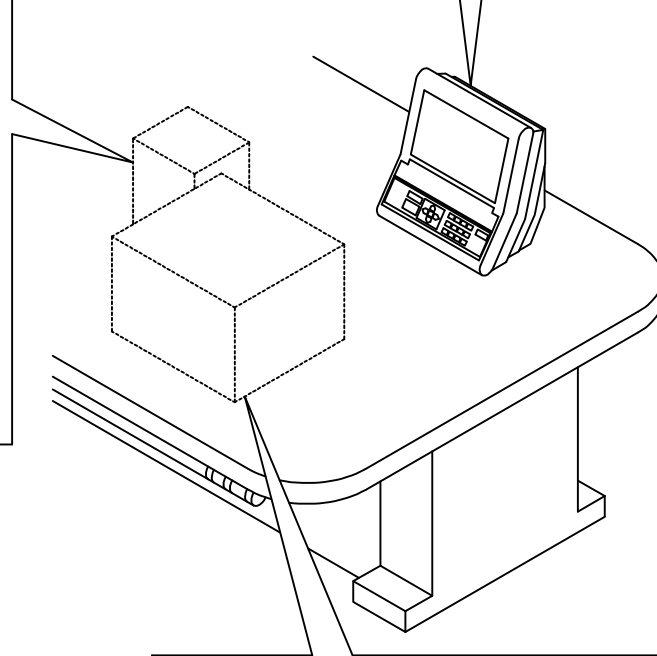
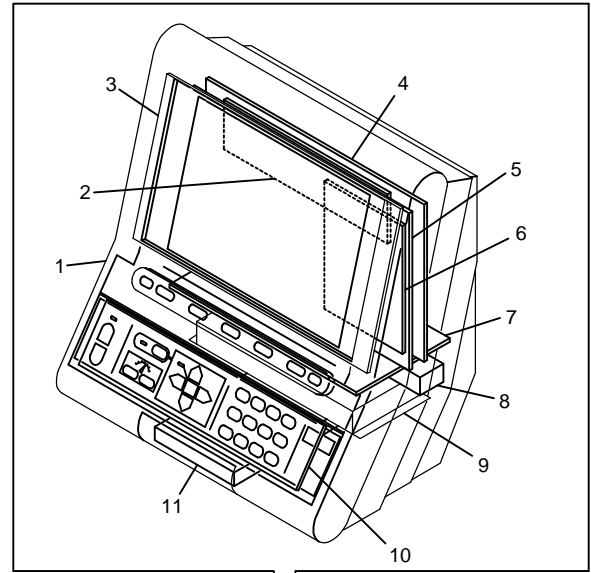
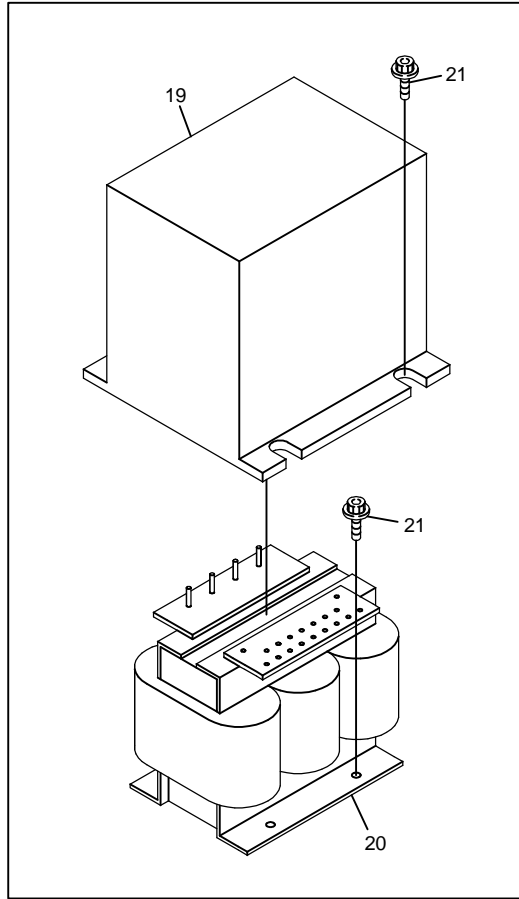
BENS-YN/YS
BENR-YN/YS

11A-1 Control A (NS)



BENS-YN/YS BENS-YN/YS-L BENSME-ZN/ZQ
 BENSHE-YN/YS BENSHE-YN/YS-S
 BENSHE-YN/YS-B BENSHE-YN/YS-BS
 BENSHE-YN-KS BENSHE-YN/YS
 BENSHE-ZQ-AS BENSHE-ZQ-B BENSHE-ZQ-BS

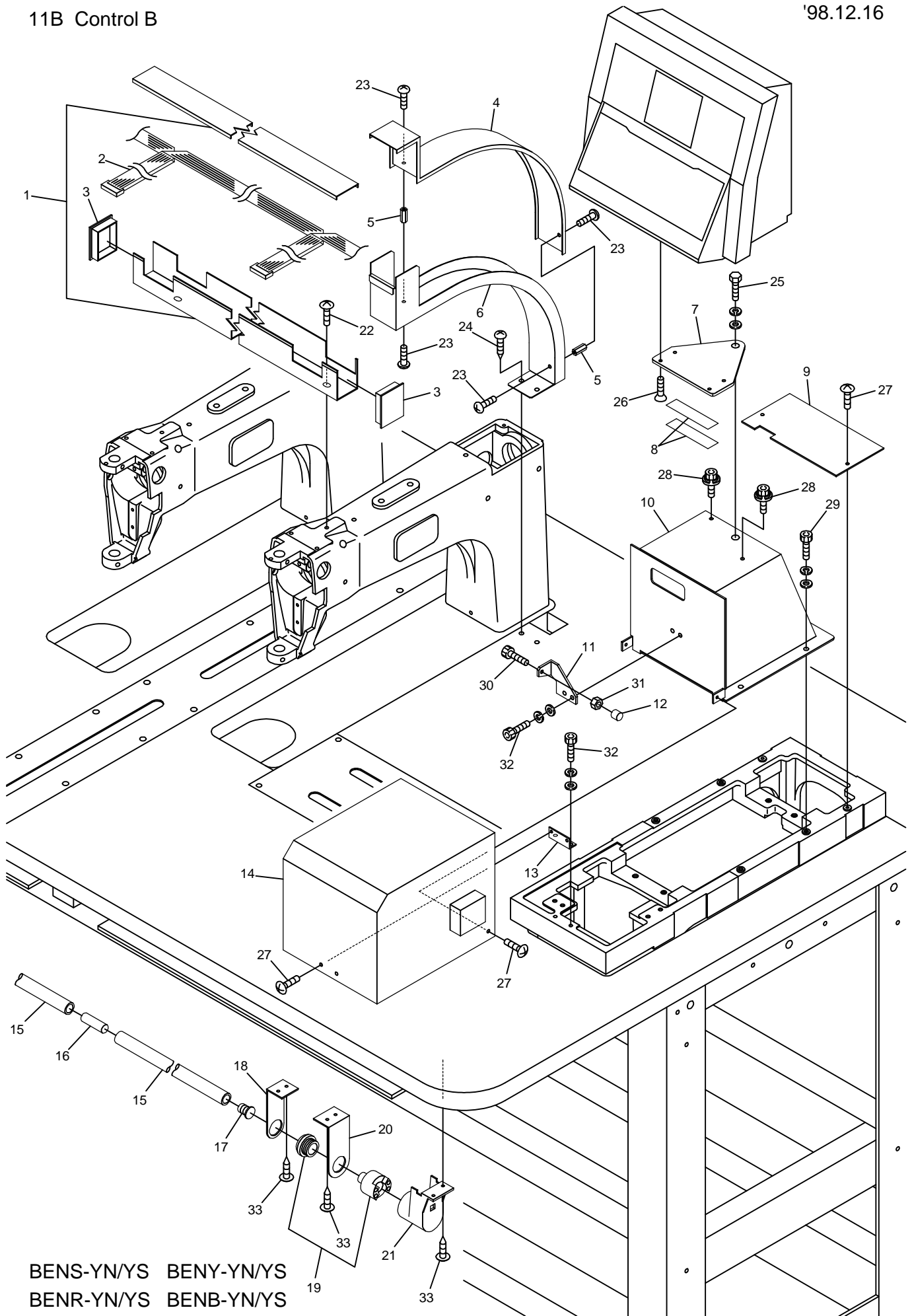
11A-2 Control A (NR)



BENR-YN/YS BENR-YN/YS-L BENRME-ZN/ZQ
 BENRH-YN/YS BENRH-YN/YS-S
 BENRH-YN/YS-B BENRH-YN/YS-BS
 BENRH-YN-KS BENRHE-YN/YS
 BENRH-ZQ-AS BENRH-ZQ-B BENRH-ZQ-BS

11A-2 CONTROL A (NR)

ITEM	LIST NO.	DESCRIPTION	Q'TY	NOTE
1	EAY038A1	NR automat controller	1	
2	EBY01550	5480	1	
		690 thousand needle memory board BENR		
3	EBY01601	LCD NL6448AC33-18 BENR	1	
4	EBY01541	5422 I/O board BENR	1	
5	EBY01530	5411 CPU board BENR	1	
6	EBY01580	5470 back light board BENR	1	
7	EBY01560	5452 B/B board BENR	1	
8	EBY01380	Inlet GL-2030HI	1	
9	EBY01590	Switching power supply MRW160 BENR	1	
10	EBY01570	5460 switch relay board BENR	1	
11	EBY01352	Floppy disk drive FD-05HG-261	1	
12	EBY01330	5740 back board	1	Pulse type
	EBY01800	Back board(AC servo) 5790	1	Servo type
13	EBY01311	5711 pulse motor drive unit	1	Pulse type
	EBY01810	AC servo unit 5780	1	Servo type
14	EBY01341	Inverter unit(NS750W)	1	
15	EBY01301	CPU board(5711)	1	
16	EBY01320	5730 power board	1	Pulse type
	EBY01820	Power board(UAD-XI) 5731	1	Servo type
17	EBY01290	N driver power control unit	1	Pulse type
	EBY01830	Power control unit 5731AC	1	Servo type
18	EAY040A2	NS automat driver ETL	1	Pulse type
	EAY062A2	DS servo driver UAD-XIIA(NS collar)	1	Servo type
19	KC520020	Transformer cover set	1	
20	EAY040A3	Transformer 3P(ETL)	1	Pulse type
	EAY044A2	Automat transformer 3P(T1479)	1	Servo type
	EAY041A3	NS transformer 1P(ETL)	1	Pulse type
	EAY042A3	Automat transformer 1P	1	Servo type
21		Hex.socket flange bolt M6x15		

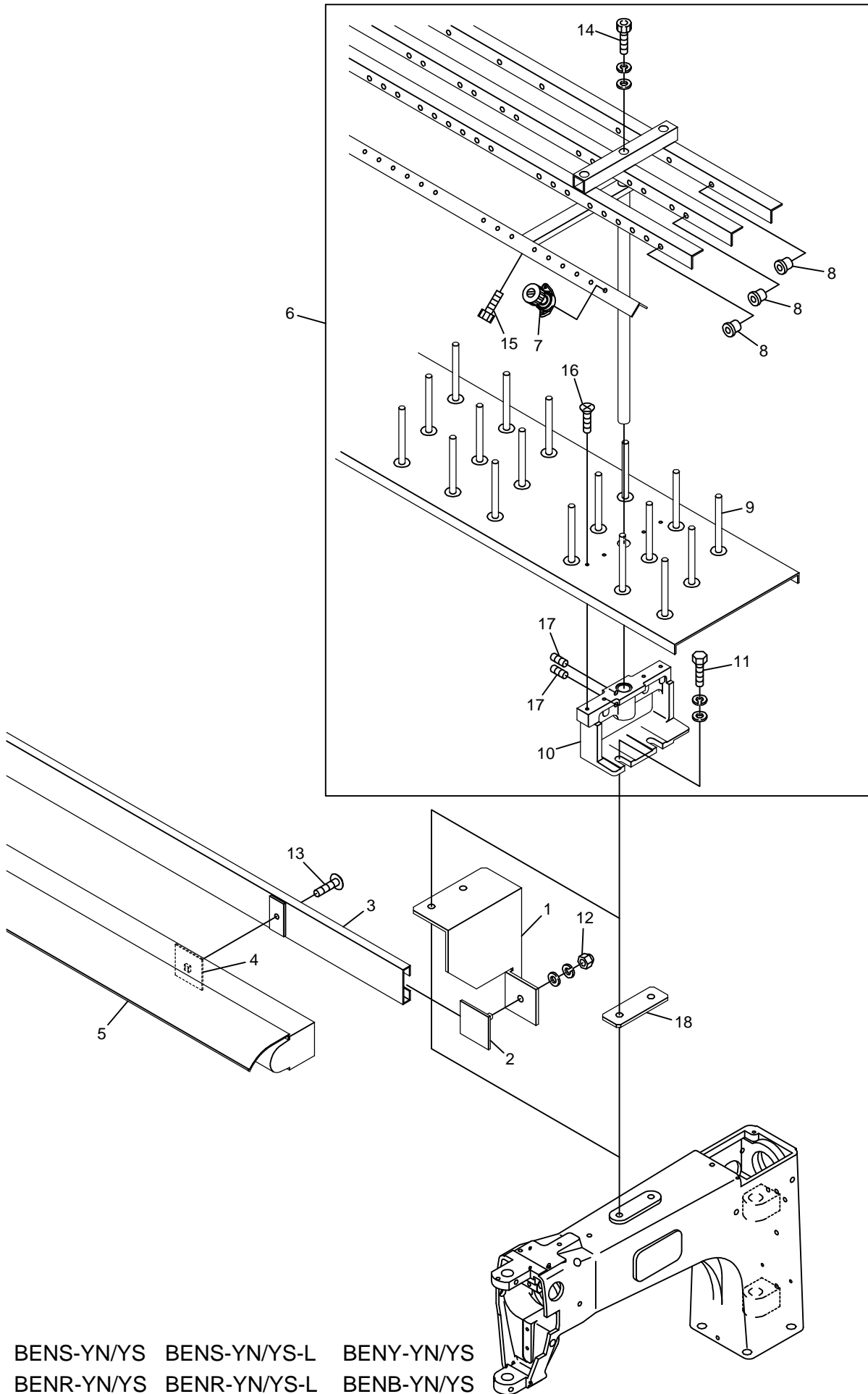


BENS-YN/YS BENY-YN/YS
BENR-YN/YS BENB-YN/YS

11B CONTROL B

ITEM	LIST NO.	DESCRIPTION	Q'TY	NOTE
1	1UKV15320	Duct cable(BENS)	1	
2	2DKV15320	Flat cable NS-15P320	1	
3	KV510181	Cable duct cap	2	
4	KR510130	Cable duct No.4 cover	1	
5	MT510791	Nut for cable duct	2	
6	KR510120	Cable duct No.4	1	
7	HV330011	Automat bracket	1	NS/NY
	HV330040	NR automat bracket	1	NR/NB
8	HV330022	Automat bracket spacer	2	
9	KV330040	Unit base cover	1	
10	KV330010	Automat base	1	
11	KL330020	Lock lever stopper	1	
12	KN231350	Needle bar cap	1	
13	KC330910	Conning tower cover bracket	1	
14	KV330020	Turning cover a'ssy	1	
15	KF530160	Switch bar	2	
16	KF530250	Switch bar joint	1	
17	KF530171	Switch bar cap	2	
18	KC530240	Bar switch bracket(Small)	9	
19	KF530120	Push button switch MS319(Green)	1	Left side
	KF530111	Push button switch MS319(Red)	1	Right side
20	KC530230	Bar switch bracket(Large)	2	
21	KF530150	Push button switch cap	2	
22		Truss screw M5x8		
23		Pan screw M4x6		
24		Tapping screw 4x15		
25		Hex.bolt M10x25(With washers)		
26		Flush screw M4x10		
27		Truss screw M4x6		
28		Hex.socket flange bolt M6x20		
29		Hex.socket bolt M6x10(With washers)		
30		Hex.socket bolt M5x30		
31		Hex.nut M5		
32		Hex.socket bolt M5x10(With washers)		
33		Tapping pan screw 4x20		

12 Accessories



BENS-YN/YS BENS-YN/YS-L BENY-YN/YS
 BENR-YN/YS BENR-YN/YS-L BENB-YN/YS

12 ACCESSORIES

ITEM	LIST NO.	DESCRIPTION	Q'TY	NOTE
1	KW710031	Fluorescent lamp mount lower bracket	4	
2	KW710040	Fluorescent lamp mount bolt	4	
3	KW710010	Fluorescent lamp mount guide rail(1set)		
	KW710020	Fluorescent lamp mount guide rail(2set)		
4	HB710020	Fluorescent lamp mount plate		
5	HV710010	Fluorescent lamp MK-4111T3-A/B(100V)		
	HV710020	Fluorescent lamp MK-4111T4-A/B(200V)		
6	2CHT9##@@@	Spool stand for YN	1	## - Head Q'ty
	1HP##@@@	Spool stand for YS	1	@@@ - Needle space
7	HP241430	Thread tension unit complete(D=13.5)	Hx9	
8	KF240900	Thread guide ceramic(For spool stand)	Hx18	
9	HT710000	Spool stand pin	Hx9	
10	HP710791	Spool stand base	10	
11		Hex.bolt M8x20		
12		Cap nut M8		
13		Truss screw M6x15		
14		Hex.socket bolt M8x45		
15		Flush screw M5x6		
16		Flush screw M4x12		
17		Hex.socket set screw M5x8		
18	KW710050	Spool stand fixing spacer	8	